



## Main

Range of product	Zelio Control
Product or component type	Modular measurement and control relays
Relay type	Temperature control relays
Product specific application	Heating or cooling HVAC Industrial machines Packaging
Relay name	REG

## Complementary

Outer dimension	1/16 DIN 48 x 48 mm
Analogue input type	Voltage 2...10 V Voltage 1...5 V Voltage 0...5 V Voltage 0...10 V Voltage 0...0.1 V Thermocouple (thermocouple J, K, R, B, S, T, E, N, PLII) Temperature probe (temperature probe: Pt 100) Current 4...20 mA Current 0...20 mA
[Us] rated supply voltage	100...240 V AC
Supply voltage limits	85...264 V
Measurement accuracy	0.3 % full scale
Sampling duration	200 ms
Number of outputs	1 solid state output
Output type	Solid state output at 24 V DC / 20 mA
Alarm output	2 C/O
Power consumption in VA	12 VA at 100...240 V AC
Function available	Auto tuning Fuzzy logic Hysteresis on-off Manual operation PID Ramp 16 steps Soft start
Marking	CE
Operating position	Any position
Display type	7 segments LCD
Display digits	4
Signalling function	Setpoint value with LCD display Process value indicator (PV) with LED red Process output 2 active (C2) with LED red Alarm output 2 active (D02) with LED green Alarm output 1 active (D01) with LED green Process value with LCD display Process output 1 active (C1) with LED red Setpoint value indicator (SV) with LED green
Mounting support	Panel

The information provided in this documentation contains general descriptions and/or technical characteristics of the performance of the products contained herein. This documentation is not intended as a substitute for and is not to be used for determining suitability or reliability of these products for specific user applications. It is the duty of any such user or integrator to perform the appropriate and complete risk analysis, evaluation and testing of the products with respect to the relevant specific application or use thereof. Neither Schneider Electric Industries SAS nor any of its affiliates or subsidiaries shall be responsible or liable for misuse of the information contained herein.

## Environment

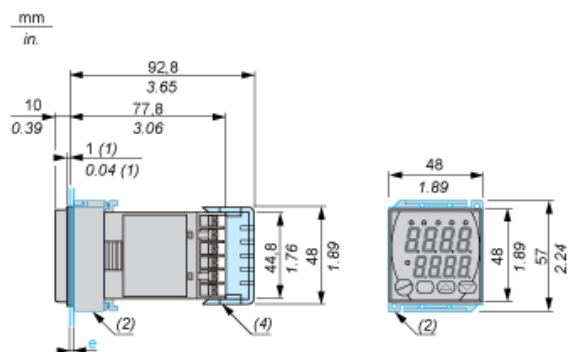
Standards	EN 61010-1 EN 61326-1 CSA C22.2 No 24-93
Product certifications	CURus (873) GOST
Ambient air temperature for storage	-20...60 °C
Ambient air temperature for operation	-10...50 °C
Relative humidity	90 % without condensation
Operating altitude	2000 m
Storage altitude	3000 m
Vibration resistance	1 gn at 10...70 Hz conforming to IEC 60068-2-6
Shock resistance	5 gn conforming to IEC 60068-2-27
IP degree of protection	IP66 (front face) conforming to IEC 60529 IP20 (rear)
NEMA degree of protection	NEMA 4X (front face)

## Offer Sustainability

Sustainable offer status	Not Green Premium product
RoHS (date code: YYWW)	Compliant - since 0940 - <a href="#">Schneider Electric declaration of conformity</a>
Product environmental profile	Available

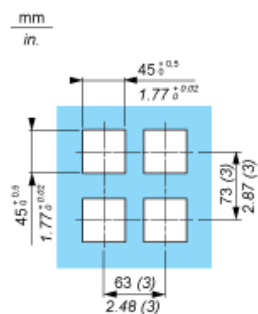
48 x 48 Size – 1/16 DIN Standard

Panel Mounting: Bracket Supplied



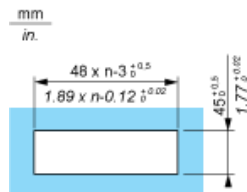
- (1) Seal
- (2) Fixing brackets supplied with REG temperature control relays.
- (4) Terminal block cover, to be ordered separately.

Panel cut-out



- (3) Minimum value.

Side stick mounting: n units (water-proof property lost in this case)



## Temperature Control Relays

### Wiring Diagram

