



## Main

Range of product	Zelio Time
Product or component type	Electronic timing relay
Electrical connection	Plug-in sub-base 8 pin(s)
Discrete output type	Relay
Contacts type and composition	2 C/O timed contacts, AgNi (cadmium free)
Component name	RE48A
Time delay type	A
Time delay range	0.02...1.2 s 0.05...3 s 0.2...12 h 0.2...12 min 0.2...12 s 0.5...30 h 0.5...30 min 0.5...30 s 2...120 h 2...120 min 2...120 s 5...300 h 5...300 min 5...300 s
[Us] rated supply voltage	24...240 V AC/DC 50/60 Hz
Voltage range	0.9...1.1 Us DC 0.85...1.1 Us AC
[In] rated current	5 A

## Complementary

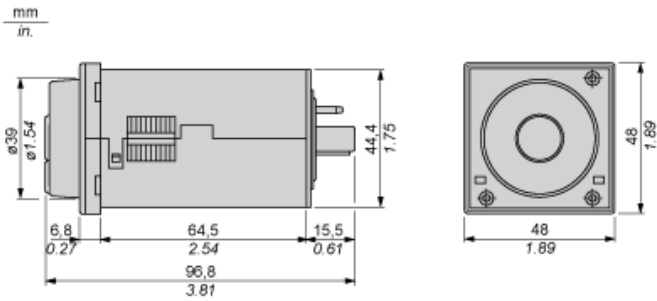
Product front plate size	48 x 48 mm
Control type	Selector switch on front panel
Housing material	Self-extinguishing
Repeat accuracy	+/- 0.2 % of the maximum setting value conforming to IEC 61812-1
Temperature drift	+/- 0.02 %/°C of the maximum setting value conforming to IEC 61812-1
Voltage drift	+/- 1 %/V of the maximum setting value 24...48 V +/- 0.2 %/V of the maximum setting value 48...240 V
Setting accuracy of time delay	+/- 5 % of full scale at 25 °C conforming to IEC 61812-1
Minimum pulse duration	20 ms
Reset time	>= 25 ms on de-energisation
Pick up duration	55 ms
On-load factor	100 %
Maximum power consumption	4.8 VA 240 V 1.1 VA 24 V
Maximum power consumption	1.7 W 240 V 0.5 W 24 V
Breaking capacity	1250 VA
Minimum switching current	100 mA
Maximum switching current	5 A
Maximum switching voltage	250 V AC/DC
Electrical durability	100000 cycles
Mechanical durability	30000000 cycles

Output voltage	240 V 1.5 A AC-15 30 V 2 A DC-13 240 V 5 A AC-12
Marking	CE
Surge withstand	2 kV (common mode) conforming to IEC 61000-4-5 level 3 1 kV (differential mode) conforming to IEC 61000-4-5 level 3
Mounting support	Base mounted: socket Panel mounted: system supplied with the product
Local signalling	LED indicator green on steady: relay energised, no timing in progress LED indicator green flashing: relay energised timing in progress 1 LED yellow output relay state
Product weight	0.14 kg

## Environment

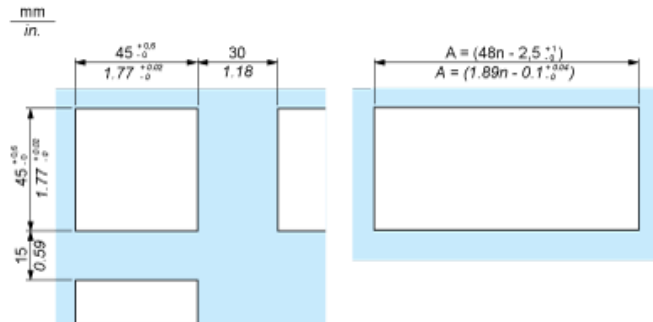
Humidity drift	+/- 0.05 %/%RH of the maximum setting value conforming to IEC 61812-1
Immunity to microbreaks	< 10 ms
Dielectric strength	1 kV 1 mA/1 minute conforming to IEC 61812-1
Protection against electric shocks	4 kV category 3 conforming to IEC 61812-1 4 kV category 3 conforming to IEC 60664-1
Standards	73/23/EEC 89/336/EEC 93/68/EEC EN 50081-1/2 EN 50082-1/2 IEC 60669-2-3 IEC 61812-1
Product certifications	CSA C-Tick CULus GL UL
Ambient air temperature for storage	-40...70 °C
Ambient air temperature for operation	-20...50 °C
IP degree of protection	IP50 (front face) conforming to IEC 60529 IP40 (housing) conforming to IEC 60529
Vibration resistance	0.35 mm (f = 10...55 Hz) conforming to IEC 60068-2-6
Relative humidity	93 % without condensation conforming to IEC 60068-2-3
Resistance to electrostatic discharge	8 kV (in air) conforming to EN/IEC 61000-4-2 level 3 6 kV (in contact) conforming to EN/IEC 61000-4-2 level 3
Resistance to electromagnetic fields	10 V/m, 26 MHz to 1 GHz conforming to IEC 61000-4-3 level 3
Resistance to fast transients	4 kV, direct conforming to EN/IEC 61000-4-4 level 4 2 kV, capacitive connecting clip conforming to EN/IEC 61000-4-4 level 4
Immunity to radioelectric fields	10 V (0.15...80 MHz) conforming to EN/IEC 61000-4-6 level 3
Immunity to voltage dips	95 % / 5 s conforming to EN/IEC 61000-4-11 60 % / 100 ms conforming to EN/IEC 61000-4-11 30 % / 10 ms conforming to EN/IEC 61000-4-11
Disturbance radiated/conducted	Class B (0.15...30 MHz) conforming to EN 55022 (EN 55011 group 1)

Width 48 mm



Panel Cut-Out and Mounting

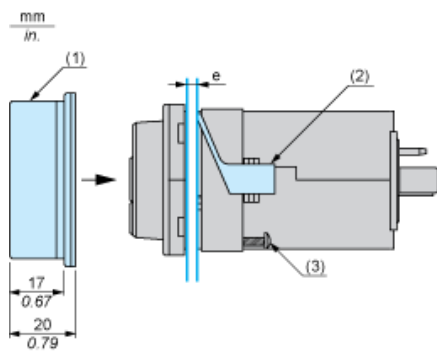
Panel Cut-Out



n Number of devices mounted side-by-side

Mounting

Cover positioning and mounting

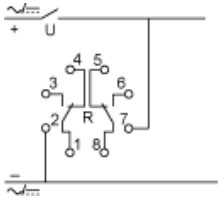


- e Panel thickness
- 1 Protective cover
- 2 Panel mounting frame
- 3 Locating screw

---

Wiring Diagram

---



---

Function A : Power on Delay Relay

---

Description


The timing period T begins on energisation. After timing, the output closes. The second output is instantaneous.



---


Legend

---

 Relay de-energised

 Relay energised

 Output open

 Output closed

C Control contact

G Gate

R Relay or solid state output

R1/ 2 timed outputs

R2

R2 The second output is instantaneous if the right position is selected  
inst.

T Timing period

Ta Adjustable On-delay

-

Tr Adjustable Off-delay

-

U Supply