



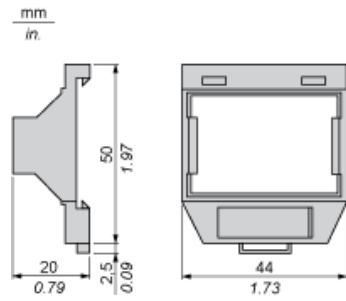
#### Main

Accessory / separate part category	Mounting accessories
Accessory / separate part designation	Mounting adaptor for DIN rails
Device short name	RPZ
Sale per indivisible quantity	20

#### Complementary

Accessory / separate part destination	Zelio Relay RPM
Product compatibility	Plug-in relay RPM (4 C/O)
Shape of pin	Flat
Product weight	0.006 kg

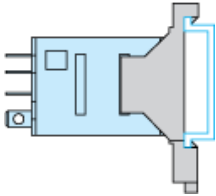
Dimensions



---

Mounting

---



With this mounting type, test button becomes inaccessible