



Main

Range of product	Zelio Relay
Accessory / separate part type	Heat sink

Complementary

Product compatibility	Solid state relay SSR in 10 A on panel Solid state relay SSR in 12 A on panel Solid state relay SSR in 25 A on panel Solid state relay SSR in 40 A on panel Solid state relay SSR in 50 A on panel
Thermal resistance	0.7 °C/W
Mounting support	Panel
Sale per indivisible quantity	1
Product weight	28.592 kg

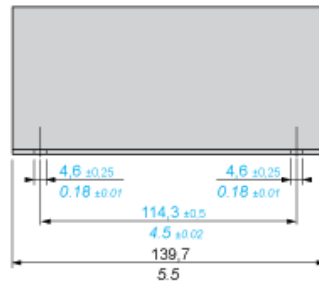
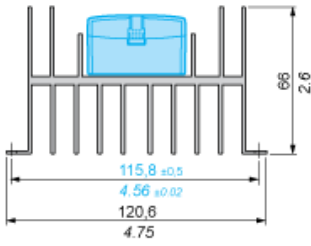
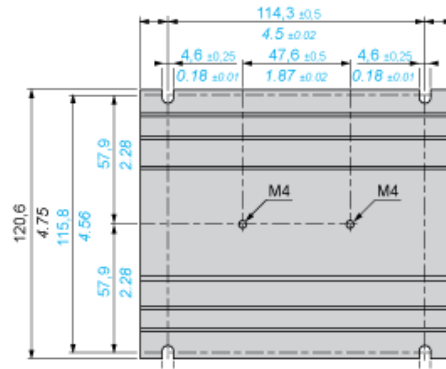
Offer Sustainability

Sustainable offer status	Not Green Premium product
RoHS (date code: YYWW)	Compliant - since 0940 - Schneider Electric declaration of conformity

Dimensions

Panel Mounting

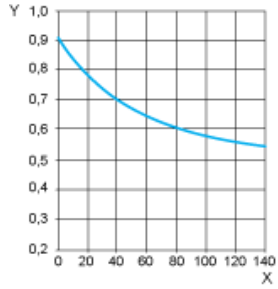
mm
in.



Dissipation Curve

Panel Mounting

Heat sink dissipation curve



X Dissipation (W)
Y Thermal resistance (°C/W)

Note : These are typical curves, actual durability depends on load, environment, duty cycle, etc.