

SSRPP8S75A2

solid state relay - panel mounting - input
90-280 V AC, output 48-530 V AC, 75A



Main

Range of product	Zelio Relay
Product or component type	Solid state relay
Device short name	SSR
Network number of phases	1 phase
Mounting support	Panel
[In] rated current	75 A
Output voltage	48...660 V AC
Control circuit voltage	90...280 V AC

Complementary

Contacts type and composition	1 NO
Tightening torque	<= 1.1 N.m for input <= 2.2 N.m for output
Local signalling	LED green for input status
Switching voltage	90 V AC turn-on 10 V AC turn-off
Input current limits	6 mA
Solid state output type	Zero voltage switching SCR output
Load current	0.15...75 A
Output sustained overvoltage	1200 V
Surge current	1000 A for 16.6 ms
Voltage drop	1.7 V on-state
Thermal resistance	0.31 °C/W
Maximum I ² t for fusing	4150 A ² .s for 8.3 ms
Leakage current	<= 10 mA off-state
DV/Dt	500 V/μs off-state at maximum voltage
Response time	0.5 cycle turn-on 0.5 cycle turn-off

Environment

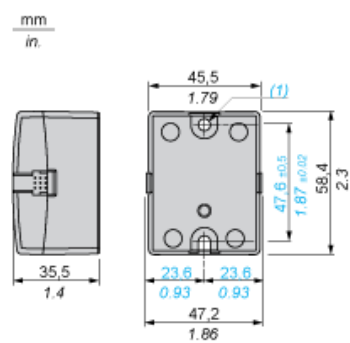
Standards	UL E258297 CSA LR 40487 IEC 60950-1 IEC 62314
Marking	CE
IP degree of protection	IP20
Ambient air temperature for operation	-40...80 °C
Ambient air temperature for storage	-40...125 °C

Offer Sustainability

Sustainable offer status	Not Green Premium product
RoHS (date code: YYWW)	Compliant - since 0940 - Schneider Electric declaration of conformity

Dimensions

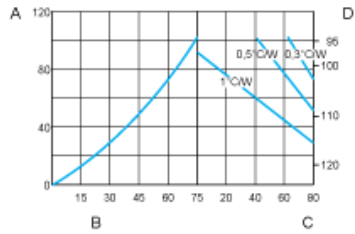
Panel Mounting



(1) $\text{Ø}4.9 \pm 0.25 \text{ mm} / \text{Ø}0.016 \pm 0.0098 \text{ in. hole}$

Thermal Derating Curves

75 A Relays



- A: Power dissipation
- B: Load current (Arms)
- C: Max. ambient temperature (°C)
- D: Base plate temperature (°C)

Note : These are typical curves, actual durability depends on load, environment, duty cycle, etc.