



Main

Range of product	Phaseo
Product or component type	Battery module
Input voltage	24 V DC
Output voltage	24 V DC
Maximum output current	32 A
Battery capacity	3.2 AH
Holding time	< 20 h at 0.16 A, 20 °C > 5 min at 8.4 A, 20 °C

Complementary

Input voltage limits	21...29 V
Load current	0.3 A
Charging time	<= 72 s
Output protection type	Against overload and short-circuits, protection technology: 1 x 20 A automotive type fuse
Connections - terminals	Screw type terminals for input connection, connection capacity: 2 x 0.5...2 x 10 mm ² AWG gauge20...8 Screw type terminals for output connection, connection capacity: 2 x 0.5...2 x 10 mm ² AWG gauge20...8
Self-discharge rate	15 %, 6 months 3 %, 1 month 9 %, 3 months
Fixing mode	By 2 screws, screw(s) Ø = 5 mm on horizontal panel, operating position: horizontal By 4 screws, screw(s) Ø = 5 mm on vertical panel, operating position: vertical By clips (with mounting kit) on 35 mm symmetrical DIN rail, operating position: horizontal By clips (with mounting kit) on 35 mm symmetrical DIN rail, operating position: vertical
Output coupling	Parallel
Service life in hours	11000 H at 40 °C 15000 H at 35 °C 22000 H at 30 °C 31000 H at 25 °C 44000 H at 20 °C 5000 H at 50 °C 7300 H at 45 °C
Product weight	3.5 kg

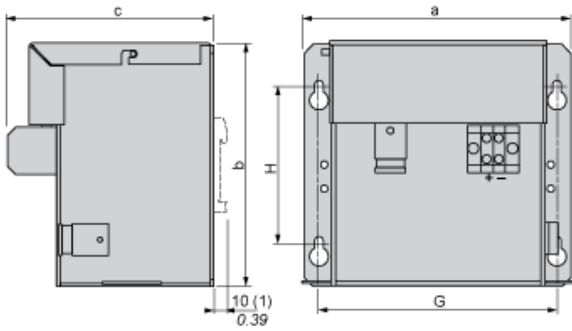
Environment

IP degree of protection	IP10 conforming to EN/IEC 60529
Ambient air temperature for operation	0...40 °C
Ambient air temperature for storage	-20...50 °C
Class of protection against electric shock	Class III conforming to VDE 0106-1
Vibration resistance	2 gn (f = 11.9...150 Hz) conforming to EN/IEC 61131-2 3.5 mm (f = 3...11.9 Hz) conforming to EN/IEC 61131-2
RoHS EUR status	Compliant
RoHS EUR conformity date	0501

24 Vdc Battery Module

Dimensions

mm
inch

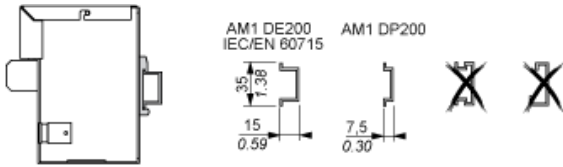


ABL	a	b	c	G	H
8BPK24A03	184/7.24	138,5/5.45	131	156/6.14	83/3.27
8BPK24A07	170/6.69	155,5/6.12	131	152/5.98	100/3.94
8BPK24A12	238/9.29	155,5/6.12	131	218/3.94	100/3.94

(1) ABL8BPK24A03 (with kit ABL1A02)

24 Vdc Battery Module

Mounting



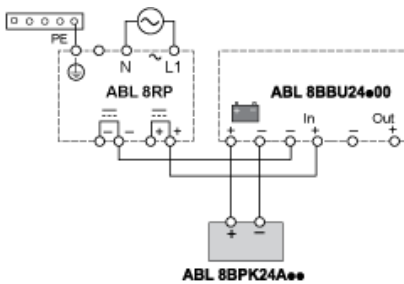
Wiring Requirements

Cable Types and Wire Sizes

	ABL 8BBU24200 6 / 10	ABL 8BBU24400 10 / 6
ABL 8BPK24A00 +/ - mm ² /AWG		
		Nm 1,7 Nm max lb-in 15

24 Vdc Battery Module Wiring

Wiring Diagram



Paralleling 2 x ABL8BPK24A00

Wiring Diagram

