



Main

| | |
|---------------------------|-------------------------------|
| Range of product | Harmony 9001SK |
| Product or component type | Complete selector switch |
| Device short name | 9001SK |
| Type of operator | Spring return (right to left) |
| Operator profile | Black long handle |

Complementary

| | |
|-------------------------------|----------------------------------|
| Bezel material | Plastic |
| Mounting diameter | 30 mm |
| Product weight | 0.059 kg |
| Shape of signaling unit head | Octagonal |
| Operator position information | 2 positions 90° |
| Contacts type and composition | Without contact block |
| Mechanical durability | 500000 cycles |
| Product compatibility | 9001KA2, mounting on side 1 or 2 |

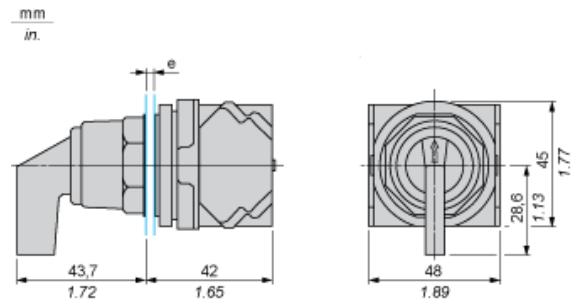
Environment

| | |
|--|--|
| Protective treatment | TC |
| Ambient air temperature for storage | -40...70 °C |
| Ambient air temperature for operation | -25...70 °C |
| Class of protection against electric shock | Class II conforming to IEC 61140 |
| IP degree of protection | IP66 conforming to IEC 60529 |
| NEMA degree of protection | NEMA 4X NEMA 4 NEMA 3R NEMA 3 NEMA 2 NEMA 13 NEMA 12 NEMA 1 |
| Standards | CSA C22-2 No 14 EN/IEC 60947-1 EN/IEC 60947-5-1 EN/IEC 60947-5-4 JIS C 4520 JIS C 852 UL 508 |
| Product certifications | NEMA UL 508 |
| Vibration resistance | 7 gn (f = 2...500 Hz) conforming to IEC 60068-2-6 |
| Shock resistance | 50 gn conforming to IEC 60068-2-27 |

Offer Sustainability

| | |
|--------------------------|--|
| Sustainable offer status | Not Green Premium product |
| RoHS | Compliant - since 0921 - Schneider Electric declaration of conformity download declaration of conformity |

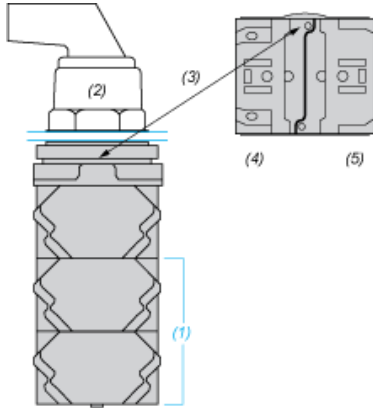
Dimensions



e panel thickness: 1 to 6 mm / 0.04 to 0.24 in.

Contact Block Mounting Position

Top and Rear views



- (1) It is possible to mount up to 3 levels of contacts blocks (maximum of 6 contacts blocks)
- (2) Operator
- (3) Locating notch
- (4) Side 1
- (5) Side 2