

## Main

Range of product	Harmony 9001K Harmony 9001SK
Product or component type	Empty enclosure
Device short name	9001T
Number of cut-out	4 cut-outs
Cable entry	1 entry tapped for 14 mm cable gland

## Complementary

Product destination	For Ø 30 mm control and signalling units
Material	Aluminium
Product weight	1.84 kg

## Environment

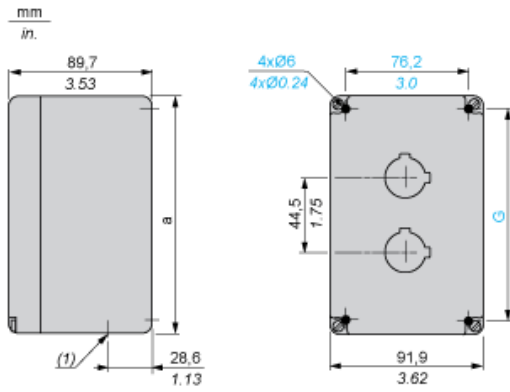
Protective treatment	TH
Ambient air temperature for storage	-40...70 °C
Ambient air temperature for operation	-25...70 °C
Class of protection against electric shock	Class II conforming to IEC 61140
NEMA degree of protection	NEMA 6 NEMA 4 NEMA 3 NEMA 13 NEMA 12 NEMA 1

## Offer Sustainability

Sustainable offer status	Not Green Premium product
RoHS	Will be Compliant on 3Q2014

Dimensions

Below drawing shows a 2-hole enclosure. Refer to the product characteristics to get the number of holes.



(1) Conduit thread: 9001 KY•: 3/4". 9001 TY• : 14 mm / 0.55 in.

a		G	
mm	in.	mm	in.
235.0	9.25	203.2	8.00