

ZBRA1EX

Relay antenna -Gas-Dust- 24...240 V DC/AC
-1 power-on LED- 2 com LEDs ATEX



Main

Range of product	Harmony XB5R
Product or component type	Wireless and batteryless range
Device short name	ZBRA
Product destination	For XB5R and XB4R Ø 22 mm control units
Control station application	Transceiver (emission and reception)
Frequency	2405 MHz for receiver 2405 MHz for transmitter
Emission class	5M00G7W
Antenna type	Omnidirectional

Complementary

Colour of base of enclosure	Black
Communication port protocol	Zigbee green power at 2.4 GHz conforming to IEEE 802.15.4
Maximum sensing distance	90 m between transmitter and antenna
[Us] rated supply voltage	24...240 V AC/DC at 50/60 Hz (+/- 10 %)
Operating position	Vertical
Status LED	1 LED for emission signal 1 LED for power ON
Rated power in W	<= 1 mW
Number of channels	1
Modulation technique	O-QPSK
Bandwidth	5 MHz
Antenna gain	0 dBi
Marking	Ex d IIC T6 Gb Ex tb IIIC T85°C Db IP65
Electrical connection	2 conductors cable 0.34 mm ² - flexible - 5 m conforming to EN/IEC 60947-1
Tightening torque	0.6 N.m conforming to EN/IEC 60947-1
Housing material	Plastic
Short circuit protection	Fuse fast blow 0.4 A
CAD overall height	280 mm
CAD overall width	160 mm
CAD overall depth	160 mm
Product weight	3.1 kg

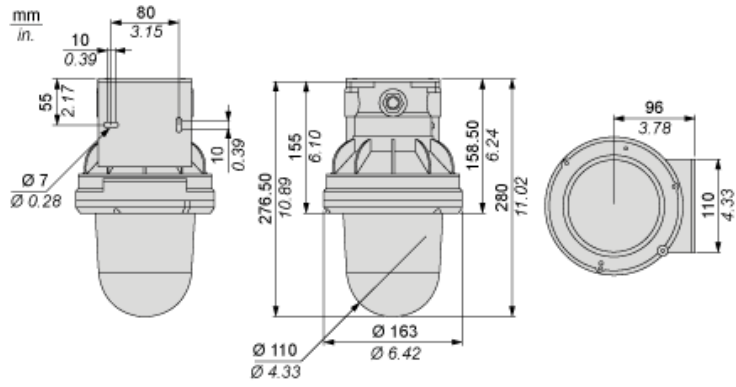
The information provided in this documentation contains general descriptions and/or technical characteristics of the performance of the products contained herein. This documentation is not intended as a substitute for and is not to be used for determining suitability or reliability of these products for specific user applications. It is the duty of any such user or integrator to perform the appropriate and complete risk analysis, evaluation and testing of the products with respect to the relevant specific application or use thereof. Neither Schneider Electric Industries SAS nor any of its affiliates or subsidiaries shall be responsible or liable for misuse of the information contained herein.

Environment

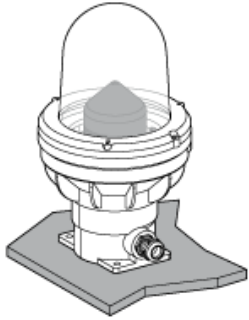
Ambient air temperature for storage	-40...70 °C
Relative humidity	90 % at -20...55 °C without condensation conforming to ETSI EN 300 440-1
IP degree of protection	IP65 conforming to IEC 60529
Radio agreement	SRRC RSS ICASA conforming to ETSI EN 300 440-1 category 1 FCC conforming to ETSI EN 300 440-1 category 2 ARIB T66 conforming to ETSI EN 301 489-3 class 2 ANATEL conforming to ETSI EN 301 489-3 type III
Product certifications	CCC CE CSA C-Tick GOST UL BT 2006/95/EC IEC-Ex
Directives	2004/108/EC - electromagnetic compatibility 1999/5/EC - R&TTE directive 94/9/EC - ATEX directive
Standards	EN/IEC 60947-1 EN/IEC 60947-5-1 UL 508 CSA C22.2 No 14

Relay Antenna

Dimensions



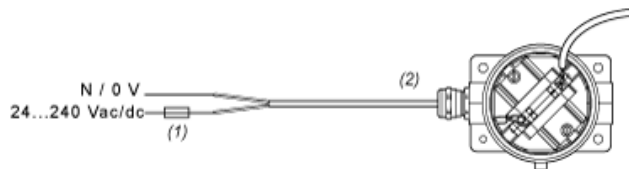
Relay Antenna Mounting



The Antenna is installed following its vertical axis

Relay Antenna

Wiring Diagram



- (1) 250V -500 mA fast-blow fuse
- (2) Wire size 0.5...2.5mm² /20...14 AWG