



Main

| | |
|--|--|
| Range of product | Harmony K |
| Product or component type | Cam switch body |
| Component name | K2 |
| [I _{th}] conventional free air thermal current | 20 A |
| Sub-assembly composition | Contact blocks + fixing plate |
| Cam switch function | Pole change switches for 2-speed motor |
| Motor type | 2 separate windings |
| Off position | With Off position |
| Switching positions | Left: 0° - 300° Right: 0° - 60° |
| Product mounting | Front mounting |
| Fixing mode | Multifixing |
| Bezel material | Plastic |

Complementary

| | |
|---|---|
| Switching angle | 60 ° |
| [U _i] rated insulation voltage | 690 V degree of pollution 3 conforming to IEC 60947-1 |
| [I _{the}] conventional enclosed thermal current | 16 A |
| Rated operational power in W | 8000 W AC-21 / 230 V 3 phases conforming to IEC 947-3 5500 W AC-23A / 690 V 3 phases conforming to IEC 947-3 5500 W AC-23A / 500 V 3 phases conforming to IEC 947-3 5500 W AC-23A / 400 V 3 phases conforming to IEC 947-3 4000 W AC-3 / 690 V 3 phases conforming to IEC 947-3 4000 W AC-3 / 500 V 3 phases conforming to IEC 947-3 4000 W AC-3 / 400 V 3 phases conforming to IEC 947-3 4000 W AC-23A / 230 V 3 phases conforming to IEC 947-3 2200 W AC-3 / 400 V 1 phase conforming to IEC 947-3 2200 W AC-3 / 230 V 3 phases conforming to IEC 947-3 17000 W AC-21 / 500 - 660 V 3 phases conforming to IEC 947-3 14000 W AC-21 / 400 V 3 phases conforming to IEC 947-3 1300 W AC-3 / 230 V 1 phase conforming to IEC 947-3 |
| [I _e] rated operational current AC | 8.9 A at 500 V AC-23A 3 phases conforming to IEC 947-3 8.3 A at 230 V AC-3 3 phases conforming to IEC 947-3 6.5 A at 500 V AC-3 3 phases conforming to IEC 947-3 6.4 A at 690 V AC-23A 3 phases conforming to IEC 947-3 4.7 A at 690 V AC-3 3 phases conforming to IEC 947-3 14.6 A at 230 V AC-23A 3 phases conforming to IEC 947-3 10.8 A at 400 V AC-23A 3 phases conforming to IEC 947-3 8 A at 400 V AC-3 3 phases conforming to IEC 947-3 4 A at 230 V AC-15 conforming to IEC 947-5-1 3 A at 400 V AC-15 conforming to IEC 947-5-1 2 A at 500 V AC-15 conforming to IEC 947-5-1 |
| Electrical durability | 600000 cycles AC-21 600000 cycles AC-15 200000 cycles AC-3 200000 cycles AC-23 |
| Operating rate | 8.333 cyc/mn AC-15 2.5 cyc/mn AC-3 2.5 cyc/mn AC-23 2.5 cyc/mn AC-21 |
| Short-circuit current | 10000 A |
| Short circuit protection | 20 A by cartridge fuse, type gG |
| [U _{imp}] rated impulse withstand voltage | 6 kV conforming to IEC 947-1 4 kV in isolating function |

The information provided in this documentation contains general descriptions and/or technical characteristics of the performance of the products contained herein. This documentation is not intended as a substitute for and is not to be used for determining suitability or reliability of these products for specific user applications. It is the duty of any such user or integrator to perform the appropriate and complete risk analysis, evaluation and testing of the products with respect to the relevant specific application or use thereof. Neither Schneider Electric Industries SAS nor any of its affiliates or subsidiaries shall be responsible or liable for misuse of the information contained herein.

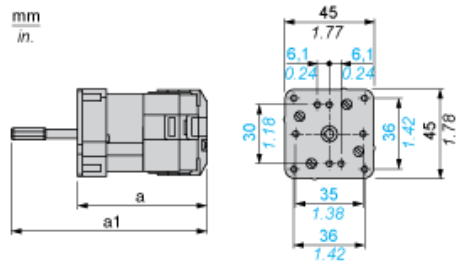
| | |
|-----------------------|---|
| Contacts operation | Slow-break |
| Positive opening | With |
| Electrical connection | Captive screw clamp terminals solid, 1 x 2.5 mm ² Captive screw clamp terminals flexible, 2 x 1.5 mm ² |
| Mechanical durability | 1000000 cycles |
| Product weight | 0.156 kg |

Environment

| | |
|--|--|
| Standards | IEC 60947-5-1 for control circuit IEC 60947-3 for power circuit EN 60947-5-1 for control circuit EN 60947-3 for power circuit CENELEC EN 50013 |
| Product certifications | UL 240 V 0.33 hp 1 phase 2 -pole(s) UL 240 V 1 hp 3 phases CSA 240 V 3 hp 3 phases 2 -pole(s) CSA 240 V 1 hp 1 phase |
| Protective treatment | TC |
| Ambient air temperature for operation | -25...55 °C |
| Ambient air temperature for storage | -40...70 °C |
| Shock resistance | 30 gn conforming to IEC 68-2-27 |
| Vibration resistance | 5 gn, 10...150 Hz conforming to IEC 68-2-6 |
| Class of protection against electric shock | Class II conforming to NF C 20-030 Class II conforming to IEC 536 |

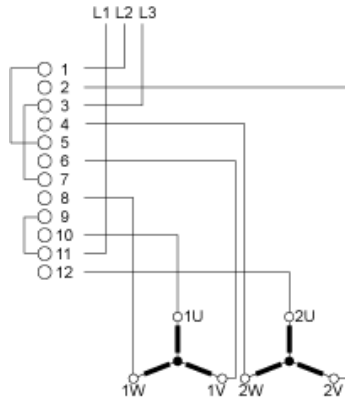
Body

Front Mounting "Multi-Fixing", 2 or 4 Screws



a 73 mm/2.87 in.
a1 97 mm/3.82 in.

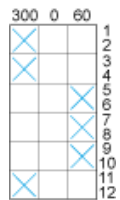
Link Positions (Factory Mounted)



Angular Position of Switch



Switching Program



Convention Used for Switching Program Representation

- Contact closed
- Contact closed in 2 positions and maintained between the 2 positions
- Sealed assembly for auto-maintain control
- Overlapping contacts
- Spring return position: for a switching angle of 90°, spring return is over 30° after the last position (for a maximum of 3 simultaneous contacts).

Example:

