

KD1H060G

complete cam OFF-ON switch KD1 - 6P -
blackhandle - front plate 60 x 60 mm - 10A



Main

Range of product	Harmony Series K
Product or component type	Complete cam switch
Product mounting	In plastic enclosure
Component name	KD1
[I _{th}] conventional free air thermal current	10 A
Cam switch function	OFF-ON switch
Enclosure material	PVC
Cam switch head type	With front plate 60 x 60 mm
Type of operator	Black handle
Rotary handle padlocking	Without
Presentation of legend	With metallic legend, O-I black marking
Poles description	6P
Contacts type and composition	1 NO break before make 1 NC

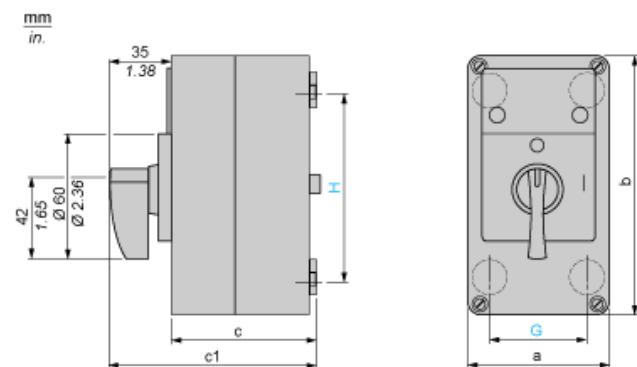
Complementary

Presentation of legend holder	With metallic finish blank legend
Operational power in W	2200 W at 400 V AC-23
Product weight	0.724 kg

The information provided in this documentation contains general descriptions and/or technical characteristics of the performance of the products contained herein. This documentation is not intended as a substitute for and is not to be used for determining suitability or reliability of these products for specific user applications. It is the duty of any such user or integrator to perform the appropriate and complete risk analysis, evaluation and testing of the products with respect to the relevant specific application or use thereof. Neither Schneider Electric Industries SAS nor any of its affiliates or subsidiaries shall be responsible or liable for misuse of the information contained herein.

Cam Switch in Plastic Enclosure

Dimensions and Mounting



- a 105 mm/4.13 in.
- b 170 mm/6.69 in.
- c 112 mm/4.41 in.
- c1 146 mm/5.75 in.
- G 53 mm/2.09 in.
- H 122 mm/4.80 in.

2 entries for n°16 cable gland and 1 entry for n°11 cable gland at the bottom.