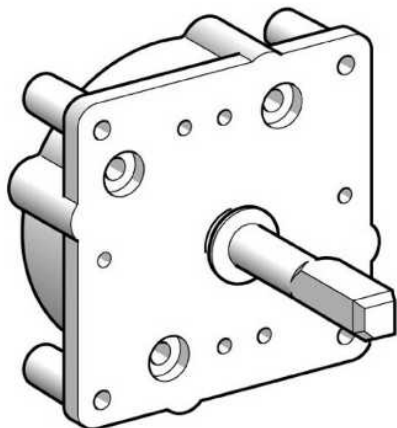


KZ141

replacement multi-fixing plate - multi-fixing front mounting body



Main

Range of product	Harmony K
Accessory / separate part designation	Replacement multi-fixing plate
Accessory / separate part type	Plate
Accessory / separate part category	Mounting and fixing accessories
Accessory / separate part destination	Multi-fixing front mounting body
Sale per indivisible quantity	1

Complementary

Product weight	0.026 kg
----------------	----------

The information provided in this documentation contains general descriptions and/or technical characteristics of the performance of the products contained herein. This documentation is not intended as a substitute for and is not to be used for determining suitability or reliability of these products for specific user applications. It is the duty of any such user or integrator to perform the appropriate and complete risk analysis, evaluation and testing of the products with respect to the relevant specific application or use thereof. Neither Schneider Electric Industries SAS nor any of its affiliates or subsidiaries shall be responsible or liable for misuse of the information contained herein.