



Main

Range of product	Harmony XAC
Product or component type	Pendant control station
Control station name	XACB
Control station type	Double insulated
Enclosure material	Glass reinforced polyester
Electrical circuit type	Control circuit Power circuit
Enclosure type	Empty enclosure
Number of cut-out	12 cut-outs in 2 rows
Cable entry	Rubber sleeve with stepped entry, cable outer diameter: 22...35 mm
Guard rail	Without
Cutout in base of enclosure	Without

Complementary

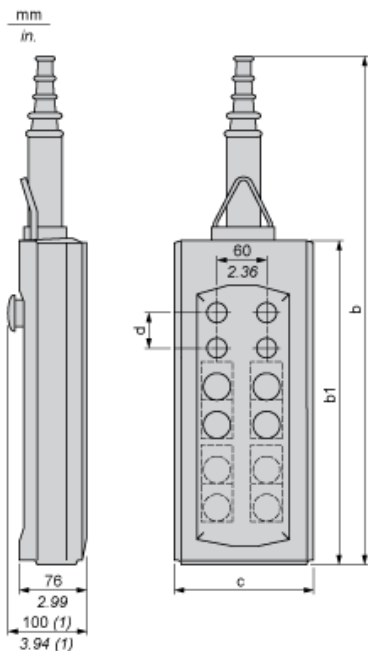
Control station colour	Yellow
Vertical operator cut-out centre	40 mm
Mechanical durability	1000000 cycles
Product weight	1.66 kg

Environment

Standards	EN/IEC 60947-5-1 UL 508 CSA C22.2 No 14
Product certifications	CSA type 4
Protective treatment	TH
Ambient air temperature for operation	-25...70 °C
Ambient air temperature for storage	-40...70 °C
Vibration resistance	15 gn (f = 10...500 Hz) conforming to IEC 60068-2-6
Shock resistance	100 gn conforming to IEC 60068-2-27
Class of protection against electric shock	Class II conforming to IEC 61140
IP degree of protection	IP65 conforming to IEC 60529
IK degree of protection	IK08 conforming to EN 50102

Dimensions

Below drawing shows a product with 12 cut-outs. Select the number of cut-outs according to the product characteristics in order to get b, b1 and c dimensions.



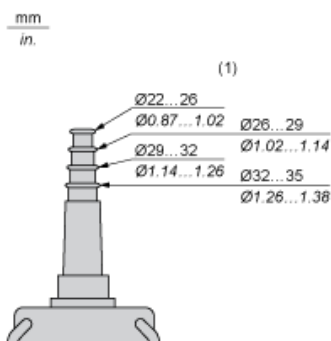
Dimensions in mm

Number of cut-outs	2	4	6	8	12
b	409	499	589	679	593
b1	220	310	400	490	404
c	98	98	98	98	158
d	40	40	40	40	40

Dimensions in in.

Number of cut-outs	2	4	6	8	12
b	16.10	19.64	23.19	26.73	23.35
b1	8.66	12.20	15.75	19.29	15.90
c	3.86	3.86	3.86	3.86	6.22
d	1.57	1.57	1.57	1.57	1.57

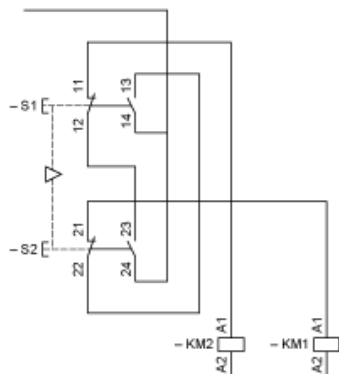
Protective cable sleeves



(1) Internal Ø

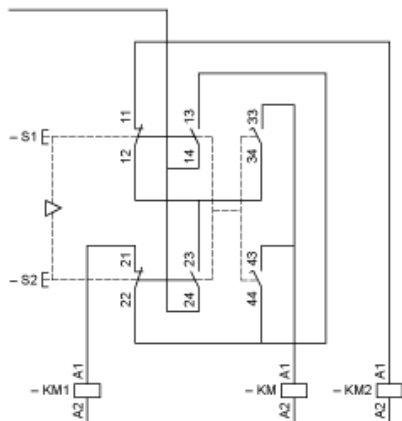
Control of Single-Speed Reversing Motor

With XESD1181 contact block, to be ordered separately



Control of 2-Speed Reversing Motor

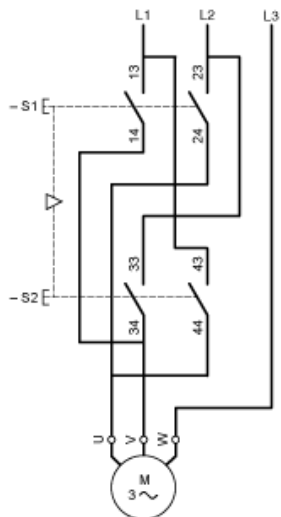
With XESD1281 contact block, to be ordered separately



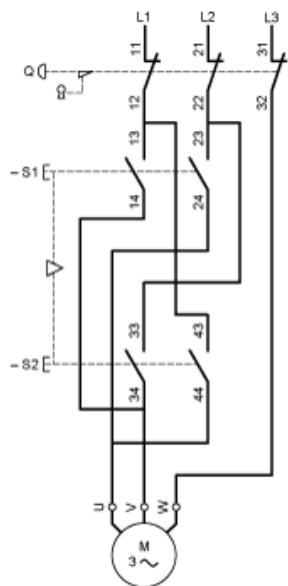
KM High speed contactor

Control of Single-Speed Reversing Motor 2-Phase Switching

With XESD1191 contact block, to be ordered separately

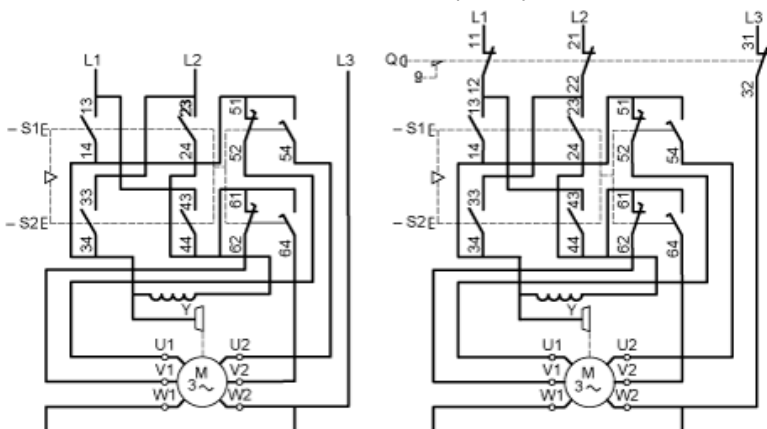


Combined with 3-pole isolating block XACS399 or XACS3991, shown in the unoperated position (pendant station “supplied”), fitted with key release trigger action latching Emergency stop operator.



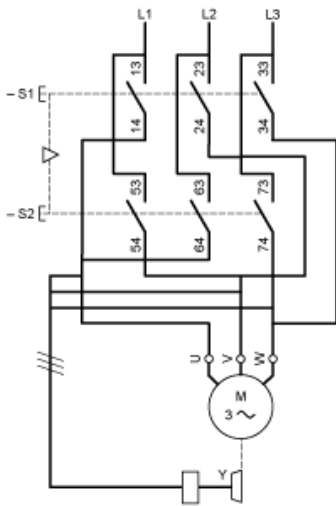
Control of 2-Speed Reversing Motor 2-Phase Switching

With XESD1291 contact block, to be ordered separately



Control of Single-Speed Reversing Motor 3-Phase switching, Reversing by 2-Phase Inversion

With XESD2201 contact block, to be ordered separately



Control of Single-Speed Reversing Motor 3-Phase switching, Reversing by 2-Phase Inversion

With XESD2241 contact block, to be ordered separately

