



Main

Range of product	Harmony XAC
Product or component type	Pendant control station
Control station name	XACB
Enclosure material	Glass reinforced polyester
Electrical circuit type	Power circuit
Enclosure type	Ready for use enclosure
Control station application	Control of single speed hoist motor
Control station composition	6 pushbuttons + 1 emergency stop
Control button type	Sixth push-button, 2-pole reverse, slow Fifth push-button, 2-pole forward slow Third push-button, 2-pole right, slow Fourth push-button, 2-pole left, slow Second push-button, 2-pole lower, slow First push-button, 2-pole raise, slow Emergency stop push-button Ø 40 mm 3 NC, trigger action
Contact block name	XESD1191 for reversing operation XACS3991 for emergency stop
Mechanical interlocking	With mechanical interlocking between pairs

Complementary

Control station colour	Yellow
Connections - terminals	Screw clamp terminals, connection capacity: 2 x 1.5 mm ² with or without cable end Screw clamp terminals, connection capacity: 1 x 2.5 mm ² with or without cable end
Mechanical durability	1000000 cycles
Cable entry	Rubber sleeve with stepped entry, cable outer diameter: 10...22 mm
[I _{th} e] conventional enclosed thermal current	12 A
[U _i] rated insulation voltage	600 V conforming to CSA 400 V (degree of pollution: 3) conforming to IEC 60947-1 for emergency stop contact
[U _{imp}] rated impulse withstand voltage	6 kV conforming to IEC 60947-1
Contacts operation	Snap action
Operating force	40 N for emergency stop 17 N for push-button
Short circuit protection	<= 10 A fuse protection by cartridge fuse type aM
Rated power in hp	5 hp at 400 V, CSA certified 3 hp at 600 V, CSA certified 2 hp at 240 V, CSA certified
Rated operational power in W	2200 W AC-4 at 400 V conforming to IEC 60947-3 appendix A 2200 W AC-4 at 240 V conforming to IEC 60947-3 appendix A 2200 W AC-3 at 400 V conforming to IEC 60947-3 appendix A 2200 W AC-3 at 240 V conforming to IEC 60947-3 appendix A

The information provided in this documentation contains general descriptions and/or technical characteristics of the products contained herein. This documentation is not intended as a substitute for and is not to be used for determining suitability or reliability of these products for specific user applications. It is the duty of any such user or integrator to perform the appropriate and complete risk analysis, evaluation and testing of the products with respect to the relevant specific application or use thereof. Neither Schneider Electric Industries SAS nor any of its affiliates or subsidiaries shall be responsible or liable for misuse of the information contained herein.

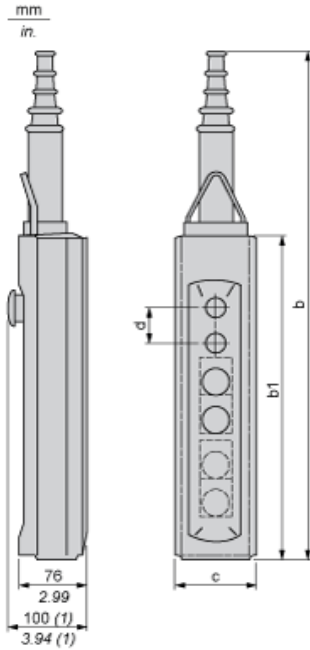
Electrical durability	800000 cycles AC-4, 1500 W at 400 V, operating rate = 10 cyc/mn, load factor = 0.4 conforming to IEC 60947-3 appendix A 800000 cycles AC-3, 1500 W at 400 V, operating rate = 10 cyc/mn, load factor = 0.4 conforming to IEC 60947-3 appendix A 500000 cycles AC-4, 1500 W at 240 V, operating rate = 10 cyc/mn, load factor = 0.4 conforming to IEC 60947-3 appendix A 500000 cycles AC-3, 1500 W at 240 V, operating rate = 10 cyc/mn, load factor = 0.4 conforming to IEC 60947-3 appendix A 300000 cycles AC-4, 2200 W at 400 V, operating rate = 10 cyc/mn, load factor = 0.4 conforming to IEC 60947-3 appendix A 300000 cycles AC-4, 2200 W at 240 V, operating rate = 10 cyc/mn, load factor = 0.4 conforming to IEC 60947-3 appendix A 300000 cycles AC-3, 2200 W at 400 V, operating rate = 10 cyc/mn, load factor = 0.4 conforming to IEC 60947-3 appendix A 300000 cycles AC-3, 2200 W at 240 V, operating rate = 10 cyc/mn, load factor = 0.4 conforming to IEC 60947-3 appendix A
Terminals description ISO n°1	(13-14)NO (23-24)NO (33-34)NO (43-44)NO
Terminals description ISO n°2	(11-12)NC (21-22)NC (31-32)NC
Terminal identifier	(11-12)NC (13-14)NO
Product weight	1.41 kg

Environment

Standards	EN/IEC 60204-32 EN/IEC 60947-5-1 EN/IEC 60947-5-5 EN/ISO 13850: 2006 UL 508 CSA C22.2 No 14
Product certifications	CSA
Protective treatment	TH
Ambient air temperature for operation	-25...70 °C
Ambient air temperature for storage	-40...70 °C
Vibration resistance	15 gn (f = 10...500 Hz) conforming to IEC 60068-2-6
Shock resistance	100 gn conforming to IEC 60068-2-27
Class of protection against electric shock	Class II conforming to IEC 61140
IP degree of protection	IP65 conforming to IEC 60529
IK degree of protection	IK08

Dimensions

Below drawing shows a product with 6 cut-outs. Select the number of cut-outs according to the product characteristics in order to get b, b1 and c dimensions.



(1) With mushroom head operator

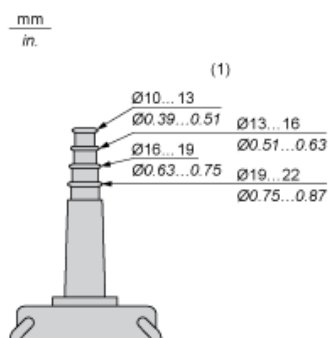
Dimensions in mm

Number of cut-outs	2	4	6	8	12
b	409	499	589	679	679
b1	220	310	400	490	490
c	98	98	98	98	98
d	40	40	40	40	30

Dimensions in in.

Number of cut-outs	2	4	6	8	12
b	16.10	19.64	23.19	26.73	26.73
b1	8.66	12.20	15.75	19.29	19.29
c	3.86	3.86	3.86	3.86	3.86
d	1.57	1.57	1.57	1.57	1.18

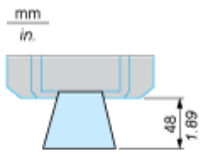
Protective cable sleeves



(1) Internal \varnothing

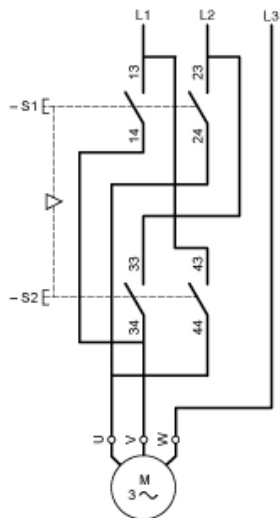
Protective Guard

Dimensions



Control of Single-Speed Reversing Motor 2-Phase Switching

With XESD1191 contact block, to be ordered separately



Combined with 3-pole isolating block XACS399 or XACS3991, shown in the unoperated position (pendant station "supplied"), fitted with key release trigger action latching Emergency stop operator.

