



RJ45 connection: 30 mm, Metal matt, sand gray

product brand name	SIRIUS ACT
product designation	RJ45 connection
design of the product	RJ-45 Cat. 5e
product type designation	3SU1
product line	Metal, matt, flat, 30 mm
<b>Actuator</b>	
outer diameter of the actuating element	38 mm
<b>General technical data</b>	
protection class IP	IP65
Substance Prohibance (Date)	01.10.2014
<b>Ambient conditions</b>	
ambient temperature	
• during operation	-25 ... +70 °C
• during storage	-40 ... +80 °C
<b>Installation/ mounting/ dimensions</b>	
shape of the installation opening	round
mounting diameter	30.5 mm
mounting height	5 mm
installation width	38 mm
installation depth	35.25 mm
<b>Accessories</b>	
material of accessory	Metal
color of accessory	sand gray

<b>Certificates/ approvals</b>	
General Product Approval	Declaration of Conformity
Test Certificates	Marine / Shipping



[UK Declaration of Conformity](#)



[Type Test Certificates/Test Report](#)



Marine / Shipping	other
-------------------	-------



[Confirmation](#)

## Further information

Information- and Downloadcenter (Catalogs, Brochures,...)

<https://www.siemens.com/ic10>

Industry Mall (Online ordering system)

<https://mall.industry.siemens.com/mall/en/en/Catalog/product?mfb=3SU1960-0GB80-0AA0>

Cax online generator

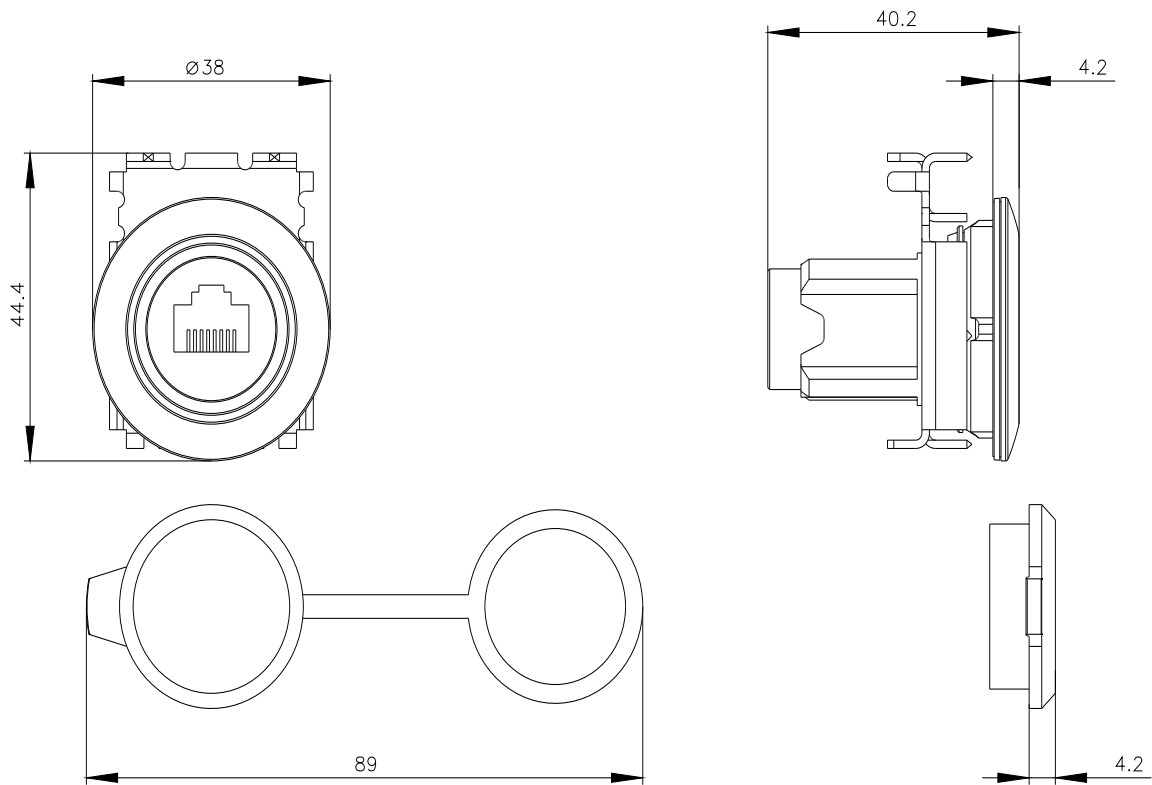
<http://support.automation.siemens.com/WW/CAXorder/default.aspx?lang=en&mfb=3SU1960-0GB80-0AA0>

Service&Support (Manuals, Certificates, Characteristics, FAQs,...)

<https://support.industry.siemens.com/cs/ww/en/ps/3SU1960-0GB80-0AA0>

Image database (product images, 2D dimension drawings, 3D models, device circuit diagrams, EPLAN macros, ...)

[http://www.automation.siemens.com/bilddb/cax\\_de.aspx?mfb=3SU1960-0GB80-0AA0&lang=en](http://www.automation.siemens.com/bilddb/cax_de.aspx?mfb=3SU1960-0GB80-0AA0&lang=en)



last modified:

2/12/2021 