

XACM045

empty pendant control station XAC-M - 4
vertical openings



Main

Range of product	Harmony XAC
Product or component type	Pendant control station
Control station name	XACM
Control station type	Metal
Enclosure material	Aluminium
Electrical circuit type	Control circuit
Enclosure type	Empty enclosure
Number of cut-out	4 cut-outs
Cable entry	Rubber sleeve with stepped entry, cable outer diameter: 22...35 mm
Guard rail	Without
Cutout in base of enclosure	Without

Complementary

Control station colour	Yellow
Vertical operator cut-out centre	40 mm
Mechanical durability	1000000 cycles
Product weight	1.74 kg

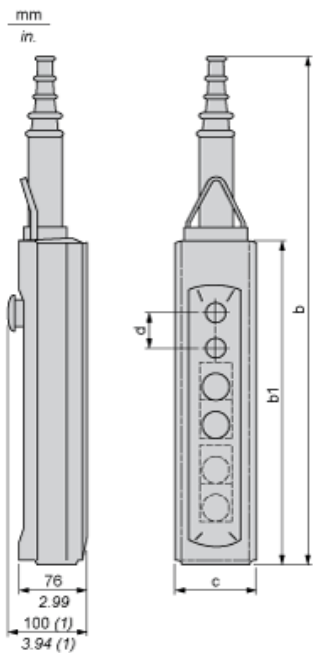
Environment

Standards	EN/IEC 60947-5-1 UL 508 CSA C22.2 No 14
Product certifications	CSA type 4
Protective treatment	TC TH on request
Ambient air temperature for operation	-25...70 °C
Ambient air temperature for storage	-40...70 °C
Vibration resistance	15 gn (f = 10...500 Hz) conforming to IEC 60068-2-6
Shock resistance	100 gn conforming to IEC 60068-2-27
Class of protection against electric shock	Class I conforming to IEC 61140
IP degree of protection	IP65 conforming to IEC 60529
IK degree of protection	IK08 conforming to EN 50102

The information provided in this documentation contains general descriptions and/or technical characteristics of the performance of the products contained herein. This documentation is not intended as a substitute for and is not to be used for determining suitability or reliability of these products for specific user applications. It is the duty of any such user or integrator to perform the appropriate and complete risk analysis, evaluation and testing of the products with respect to the relevant specific application or use thereof. Neither Schneider Electric Industries SAS nor any of its affiliates or subsidiaries shall be responsible or liable for misuse of the information contained herein.

Dimensions

Below drawing shows a product with 6 cut-outs. Select the number of cut-outs according to the product characteristics in order to get b, b1 and c dimensions.



(1) With mushroom head operator

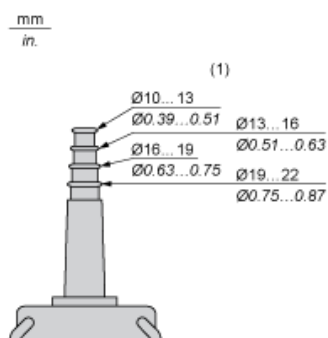
Dimensions in mm

Number of cut-outs	2	4	6	8	12
b	409	499	589	679	679
b1	220	310	400	490	490
c	98	98	98	98	98
d	40	40	40	40	30

Dimensions in in.

Number of cut-outs	2	4	6	8	12
b	16.10	19.64	23.19	26.73	26.73
b1	8.66	12.20	15.75	19.29	19.29
c	3.86	3.86	3.86	3.86	3.86
d	1.57	1.57	1.57	1.57	1.18

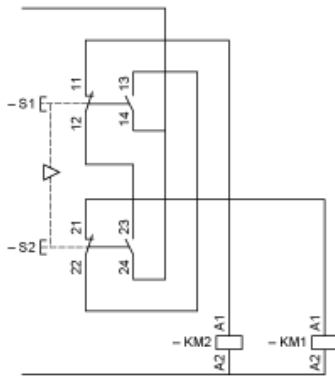
Protective cable sleeves



(1) Internal Ø

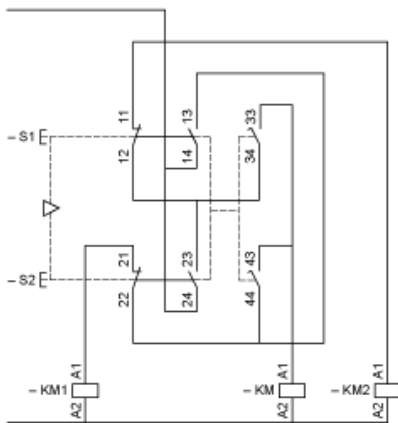
Control of Single-Speed Reversing Motor

With XESD1181 contact block, to be ordered separately



Control of 2-Speed Reversing Motor

With XESD1281 contact block, to be ordered separately



KM High speed contactor