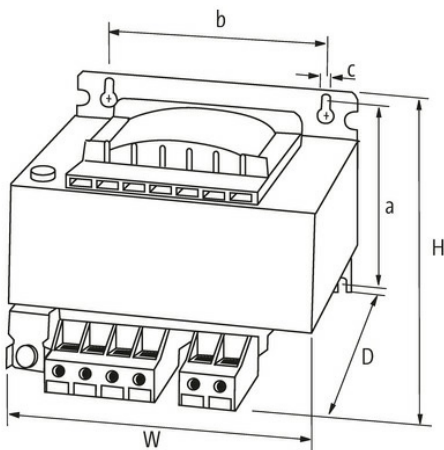
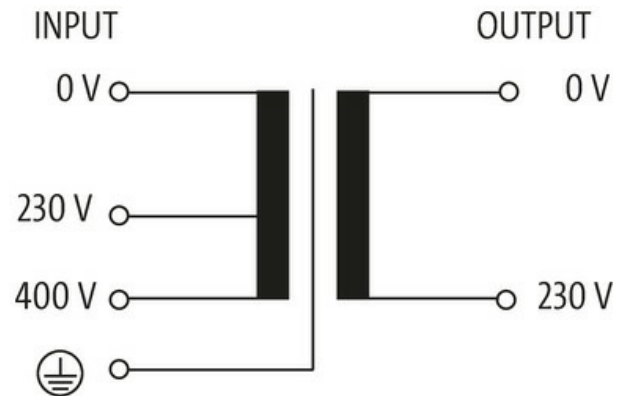


**MST 1-PHASE CONTROL AND ISOLATION TRANSFORMER**

P: 400VA IN: 230/400VAC OUT: 230VAC

Single-phase - Control and Isolation Transformers  
 400 VA  
 Spring clamp terminals  
 Isolation class T 40/B  
 Other voltages on request.

[Link to Product](#)**Illustration**

Product may differ from Image

**General data**

Standards	EN 61558-1, EN 61558-2-4, EN 62041 category 0
Mounting method	Key-hole mounting
Temperature range	-20...+40 °C (storage temperature -40...+80 °C)
Test isolation voltage	4 kV (prim./sec.)
Drill hole Ø	5.8x10 mm

The information in this brochure has been compiled with the utmost care.  
 Liability for the correctness completeness and topicality of the information is restricted to gross negligence. Version: 03/22

Fixing centers a×b×c	86.5×90×5.8 mm
Dimensions H×W×D	104.2×120×123 mm

**Output**

Output voltage	230 V AC
Output rating	400 VA

**Input**

Input voltage	230/400 V AC
Inrush current	52.3 A (230 V AC); 30.2 A (400 V AC)
Short-circuit current	43 A (230 V AC); 24.9 A (400 V AC)
Input current	1.95 A (230 V AC); 1.1 A (400 V AC)
Frequency	50...60 Hz

**Commercial data**

country of origin	CZ
customs tariff number	85043180
EAN	4048879066235
eClass	27031302
Packaging unit	1.000