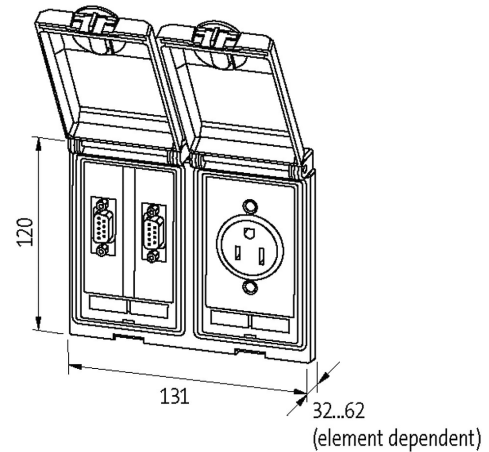


MODLINK MSDD FRAME DBL METAL

Nicked/transparent

Frame: metal, matte nickel plated

Lid: plastic, transparent

[Link to Product](#)**Illustration**

Product may differ from Image

Frame

suitable for mounting with wall thickness	1...5 mm
Protection	IP65
Temperature range	-10...+60 °C (storage temperature -25...+60 °C)
Housing	Frame: zinc die-casting, with surface finishing, Lid: plastic, PC transparent

General data

Dimensions H×W×D	120×130×35 mm
------------------	---------------

Commercial data

country of origin	DE
customs tariff number	85389099
EAN	4048879033374
eClass	27189217
Packaging unit	1.000