

**M12 male 90° A-cod. / MSUD valve plug A-18mm**

PUR 5x0.34 ye UL/CSA+robot+drag ch. 0.6m

**MSUD**

Form A (18 mm) – M12, male 90°

24 V DC  $\pm 25\%$ 

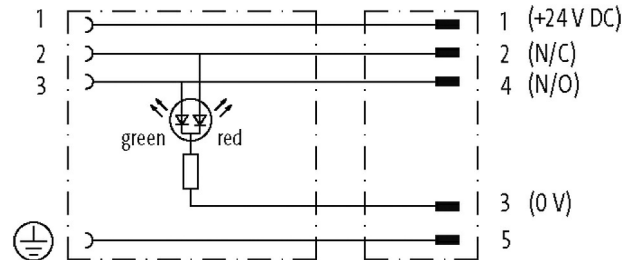
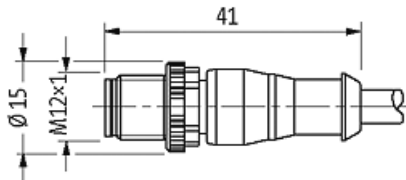
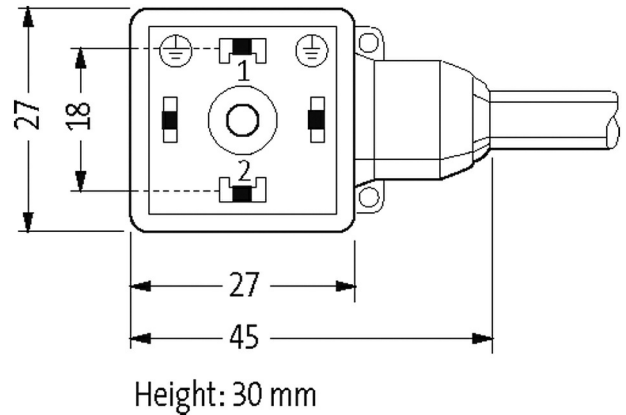
LED (red/green)

for pressure switches

Further cable lengths on request.

Plastic housings with good resistance against chemicals and oils.

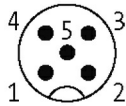
The resistance to aggressive media should be individually tested for your application. Further details on request.

[Link to Product](#)**Illustration**

Female



Male



Product may differ from Image

**Technical Data**Operating voltage 24 V DC  $\pm 25\%$

|                                    |   |
|------------------------------------|---|
| Operating current per contact      | max. 4 A  |
| Current consumption                | approx. 12 mA   |
| Housing                            | Black plastic (gray on request)   |
| Locking of ports                   | M3/M12×1 mm (recommended torque 0.4/0.6 Nm)   |
| Protection                         | IP66K, IP67 inserted and tightened (EN 60529)   |
| Rated surge voltage                | 0.8 kV  |
| <b>General data</b>                |   |
| Temperature range                  | -25...+85 °C, depending on cable quality  |
| <b>Cables</b>                      |   |
| No./diameter of wires              | 5× 0.34 mm <sup>2</sup>   |
| Wire isolation                     | PP (br, wh, bl, bk, gnye)   |
| C-track properties                 | 10 Mio.   |
| Material (jacket)                  | PUR (UL/CSA), welding spark   |
| Outer Ø                            | 5.0 mm ±5%  |
| Bend radius (moving)               | 10× outer Ø   |
| Temperature range (fixed)          | -40...+80 °C  |
| Temperature range (mobile)         | -25...+80 °C  |
| Cable identification               | 055   |
| Cable Type                         | 5 (PUR schweißfunkenbeständig)  |
| Approval (cable)                   | cURus (AWM-Style 20549/10493); CE conform   |
| Cable weight [g/m]                 | 41,80   |
| Material (wire)                    | Cu wire, bare   |
| Resistor (core)                    | max. 60 Ω/km (20 °C)  |
| Single wire Ø (core)               | 0.1 mm  |
| Construction (core)                | 42× 0.1 mm (multi-strand wire class 6)  |
| Diameter (core)                    | 5× 0.34 mm <sup>2</sup>   |
| AWG                                | similar to AWG 22   |
| Material (wire isolation)          | PP  |
| Material property (wire isolation) | CFC-, halogen-, cadmium-, silicone- and lead-free   |
| Shore hardness (wire isolation)    | 74 ±3 D   |
| Wire-Ø incl. isolation             | 1.25 mm ±5%   |
| Color/numbering of wires           | br, bk, bl, wh, gnye longitudinally striped   |
| Stranding combination              | 5 wires twisted around central filler   |
| Shield                             | no  |
| Material (jacket)                  | PUR   |
| Material property (jacket)         | CFC-, halogen-, cadmium-, silicone- and lead-free, matt, low-adhesion, machine easy to process, abrasion-resistant, hydrolysis-, microbial- and welding spark resistant |
| Shore hardness (jacket)            | 58 ±3 D   |
| Outer-Ø (jacket)                   | 5.0 mm ±5%  |
| Color (jacket)                     | yellow  |
| chemical resistance                | good resistance to oil, gasoline and chemicals (EN 60811-404)   |
| thermal resistance                 | flame retardant UL, FT2, IEC 60332-1, IEC 60332-2-2, welding spark resistant  |
| Nominal voltage                    | 300 V AC  |
| Test voltage                       | 2500 V AC   |
| Current load capacity              | to DIN VDE 0298-4   |
| Temperature range (fixed)          | -40...+80 °C, (+90 °C at max. 10 000 operating hours)   |
| Temperature range (mobile)         | -25...+80 °C, (+90 °C at max. 10 000 operating hours)   |
| Bend radius (fixed)                | 5× outer Ø  |
| Bend radius (moving)               | 10× outer Ø   |
| No. of bending cycles (C-track)    | max. 10 Mio. (25 °C)  |
| Traversing distance (C-track)      | max. 5 m (horizontal)   |
| Travel speed (C-track)             | max. 3.3 m/s  |
| Acceleration (C-track)             | max. 5 m/s <sup>2</sup>   |

|                       |                     |
|-----------------------|---------------------|
| Torsion stress        | ±360°/m             |
| No. of torsion cycles | max. 1 Mio. (25 °C) |
| Torsion speed         | 35 cycles/min       |
| Jacket Color          | yellow              |

**Commercial data**

|                       |               |
|-----------------------|---------------|
| country of origin     | CZ            |
| customs tariff number | 85444290      |
| EAN                   | 4048879609456 |
| eClass                | 27279218      |
| Packaging unit        | 1             |