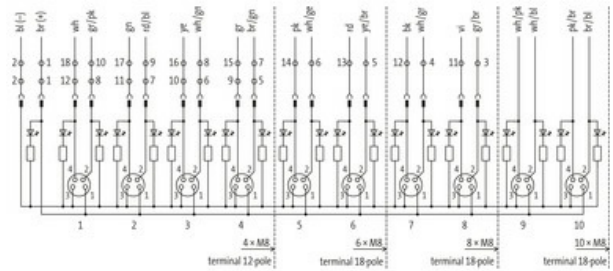
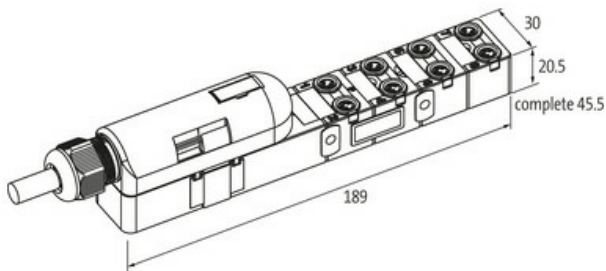


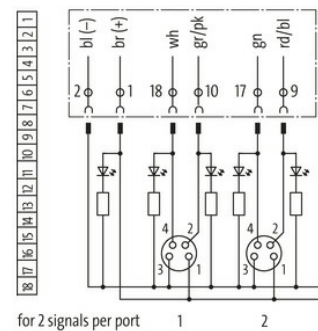
EXACT8, 8XM8, 4 POLE PLUG. CAP, SPRING-TERM.

5.0m PUR 16x0,34+2x0,75, UL/CSA

5.0 m

[Link to Product](#)**Illustration****M8-Females 4-pole**

4 (S1) 2 (S2)
3 (-) 1 (+)



Product may differ from Image

**Form**

Form 88140

Technical Data

Operating voltage	24 V DC
Operating current per contact	max. 2 A
Locking of ports	Screw thread (M8x1 mm)
Protection	IP67 inserted and tightened (EN 60529)
Housing	Plastic, flame retardant
Signal per port	2
Total current	max. 8 A

General data

Temperature range -20...+80 °C, depending on cable quality

CablesNo./diameter of wires 16x 0.34 + 2x 0.75 mm²

C-track properties	5 Mio.
Outer Ø	10.4 mm ±5%
Cable number	396
Jacket Color	gray
Temperature range (fixed)	-40...+80 °C
Temperature range (mobile)	-5...+60 °C
Bend radius (fixed)	5× outer Ø
Bend radius (moving)	10× outer Ø
Material (jacket)	PUR (UL/CSA)

Contact Layout

PIN 1	(+)
PIN 2	(NC)/(S2)
PIN 3	(-)
PIN 4	(NO)/(S1)
LED (green): Power / LED (yellow): (S1) / LED (white): Signal (S2)	

Commercial data

country of origin	CZ
customs tariff number	85444290
EAN	4048879054379
eClass	27143423
Packaging unit	1.000