

## MVK E/A KOMPAKTMODUL, METALLAUSFÜHRUNG

Profibus DP, 16 dig. Aus

Digital outputs

DO8 DO8

PROFIBUS 12 Mbit/s; M12, B-coded

7/8", 5-pole, 2× max. 9 A

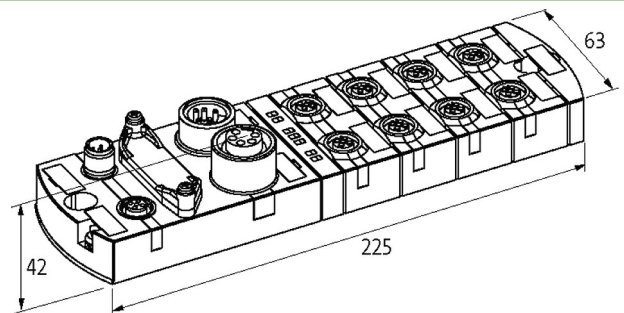
M12, 5-pole, A-coded

Connection cables are in the online shop under "Connection Technology".

Housing fully potted.

### Link to Product

#### Illustration



Product may differ from Image



#### General data

Mounting method	2-hole screw mounting
Temperature range	-25...+55 °C (storage temperature -25...+70 °C)
Protection	IP67
Dimensions H×W×D	42×63×225 mm

#### PROFIBUS

Addressing	Rotary switch 1...99
------------	----------------------

#### Output

Lamp load	10 W
Actuator supply UA	24 V DC (EN 61131-2), max. 9 A
Switching current per output	max. 1.6 A (short-circuit and overload protected)

#### Connections

Fieldbus	PROFIBUS 12 Mbit/s; M12, B-coded
Sensor-system/actuator supply	7/8", 5-pole, 2× max. 9 A
I/O ports	M12, 5-pole, A-coded

#### Diagnostic

Communication status	via LED
Diagnostic via LED	per module and channel
Diagnostic via BUS	per module and channel
Actuator warning	per channel via LED and BUS
Monitoring - under voltage	yes
Monitoring - no voltage	yes

Short-circuit and overload	yes
Cable break	per port
<b>Commercial data</b>	
country of origin	DE
customs tariff number	85389099
EAN	4048879051613
eClass	27242604
Packaging unit	1.000