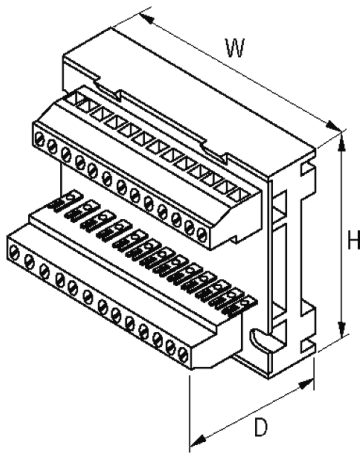
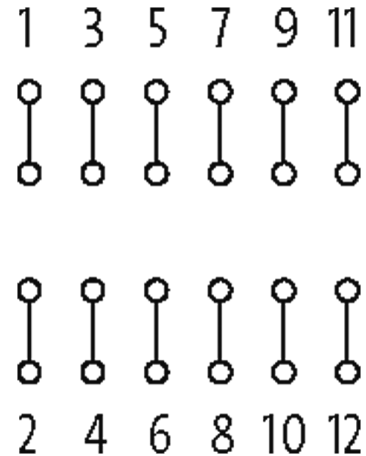


ASSEMBLY MODULE MP 6 S

Mounting rail / screw-type terminal

6 pairs of solder pins
screw terminals connected to solder pin pairs

[Link to Product](#)**Illustration**

Product may differ from Image

Technical Data

Operating voltage	max. 250 V AC/DC
Operating current	max. 5 A
Distance of solder pins	50 mm

General data

Mounting method	DIN-rail mountable TH35 or G32 (EN 60715) or screwable
Temperature range	-20...+60 °C
Housing	Plastic, flame retardant. Open design.
Connection	Screw terminals: max. 4 mm ² , pairs of solder pins (spacing 5 mm)
Dimensions H×W×D	63×90×36 mm

Commercial data

country of origin	CZ
customs tariff number	85369010

The information in this brochure has been compiled with the utmost care.
Liability for the correctness completeness and topicality of the information is restricted to gross negligence. Version: 03/22

EAN	4048879042239
eClass	27260710
Packaging unit	1.000