

MSUD valve plug A-18mm with cable

PVC 5x0.75 ye 3m

MSUD

Form A (18 mm)

24 V DC $\pm 25\%$

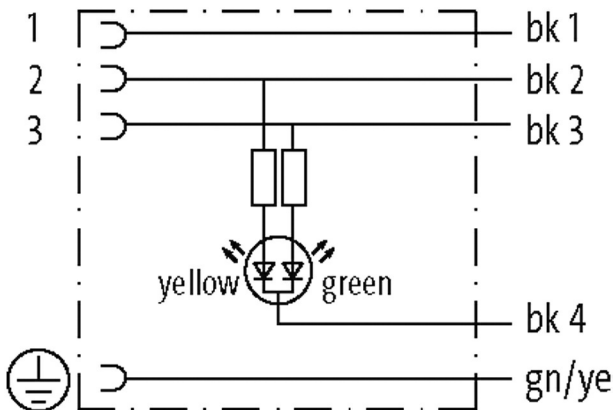
LED (yellow/green)

for pressure switches

Further cable lengths on request.

Plastic housings with good resistance against chemicals and oils.

The resistance to aggressive media should be individually tested for your application. Further details on request.

[Link to Product](#)**Illustration**

Product may differ from Image

* only for products with UL/CSA approved cable

Form

Form 18141

Technical Data

| | |
|-------------------------------|--------------------------------|
| Operating voltage | 24 V DC $\pm 25\%$ |
| Operating current per contact | max. 4 A |
| Locking of ports | M3 (recommended torque 0.4 Nm) |

| | |
|------------------------------------|--|
| Housing | Black plastic (gray on request) |
| Protection | IP67 inserted and tightened (EN 60529) |
| General data | |
| Temperature range | -25...+85 °C, depending on cable quality |
| Cables | |
| No./diameter of wires | 5× 0.75 mm ² |
| Wire isolation | PVC (bk num, gnye) |
| Material (jacket) | PVC |
| Outer Ø | 7.0 mm ±5% |
| Bend radius (moving) | 10× outer Ø |
| Temperature range (fixed) | -30...+70 °C |
| Temperature range (mobile) | -5...+70 °C |
| Cable identification | 018 |
| Cable Type | 1 (PVC) |
| Approval (cable) | CE conform |
| Cable weight [g/m] | 94,60 |
| Material (wire) | Cu wire, bare |
| Resistor (core) | max. 26 Ω/km (20 °C) |
| Single wire Ø (core) | 0.2 mm |
| Construction (core) | 24× 0.2 mm (multi-strand wire class 5) |
| Diameter (core) | to DIN VDE 0298-4 |
| AWG | similar to AWG 18 |
| Material (wire isolation) | PVC |
| Material property (wire isolation) | CFC-, cadmium-, silicone- and lead-free |
| Shore hardness (wire isolation) | 43 ±5 D |
| Wire-Ø incl. isolation | 1.8 mm ±5% |
| Color/numbering of wires | bk numbered, gnye longitudinally striped |
| Shield | no |
| Stranding combination | 5 wires twisted around central filler |
| Material (jacket) | PVC |
| Material property (jacket) | CFC-, cadmium-, silicone- and lead-free |
| Shore hardness (jacket) | 80 ±5 A |
| Outer-Ø (jacket) | 7.0 mm ±5% |
| Color (jacket) | yellow |
| chemical resistance | good resistance to oil, gasoline and chemicals |
| Nominal voltage | 300/500 V AC |
| Test voltage | 3000 V AC |
| Current load capacity | to DIN VDE 0298-4 |
| Temperature range (fixed) | -30...+70 °C |
| Temperature range (mobile) | -5...+70 °C |
| Bend radius (fixed) | 5× outer Ø |
| Bend radius (moving) | 10× outer Ø |
| Jacket Color | yellow |
| Commercial data | |
| country of origin | CZ |
| customs tariff number | 85444290 |
| EAN | 4048879190206 |
| eClass | 27279218 |
| Packaging unit | 1 |