

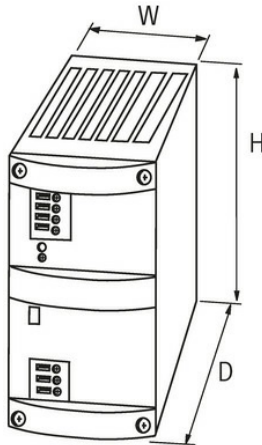
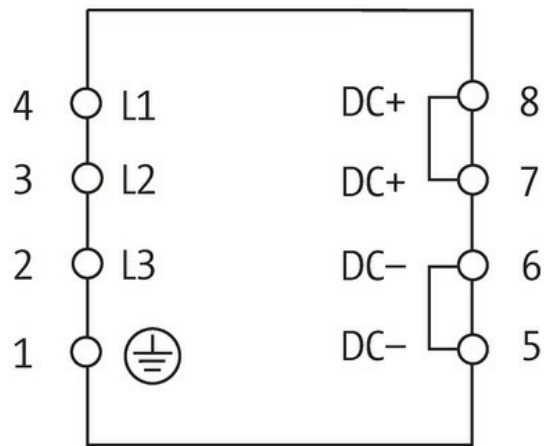
**MCS POWER SUPPLY 3-PHASE,**

IN: 360-550VAC OUT: 24-28V/20ADC

INPUT: 3× 360...550 V AC

OUTPUT: 24...28 V DC

Current: 20 A

[Link to Product](#)**Illustration**

Product may differ from Image

**General data**

Standards	IEC 61010-2-201, EN 61204-3, EN 55022 B
Mounting method	Screw fixing M4, 4 pcs. in rectangle 60×197 mm
Temperature range	0...+60 °C (storage temperature -25...+85 °C)
Relative humidity	5...95%, no condensation
Efficiency	90%
Dimensions H×W×D	209×84×247 mm

**Output**

The information in this brochure has been compiled with the utmost care.  
 Liability for the correctness completeness and topicality of the information is restricted to gross negligence. Version: 03/22

Output voltage	24 V DC (SELV), $\pm 1\%$ ; 24...28 V adjustable
LED display	LED (green) for output voltage
Selectable switch-off mode	front sided plug link (automatic re-start or definite shut-off)
Output current	20 A (+60 °C); 24 A (+40 °C)
Mains failure bridging time	min. 12 ms (400 V AC)
Ripple	max. 20 mV eff/rms
Spikes	max. 100 mV ss/pp
Unit protection	short-circuit and overload protected
Parallel usage/serial usage	max. 5 units/max. 2 units

**Input**

Input voltage	3× 360...550 V AC
Primary fusing external	max. 3× 3 A
Input current	3× 1.2 A
Inrush current after 1 ms	max. 20 A
Frequency	50...60 Hz

**Commercial data**

country of origin	CZ
customs tariff number	85044090
EAN	4048879282475
eClass	27049002
Packaging unit	1.000