

**M8 ADAPTOR ON REAR OF MSUD VALVE PLUG FORM BI 11MM**

LED+Suppression 24 V AC/DC

Form BI (11 mm) – M8, connector at the rear

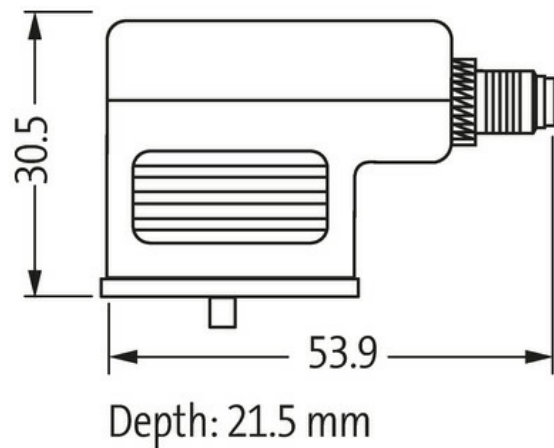
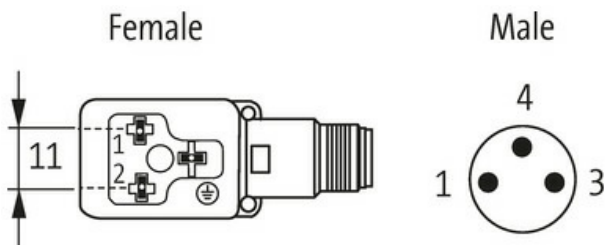
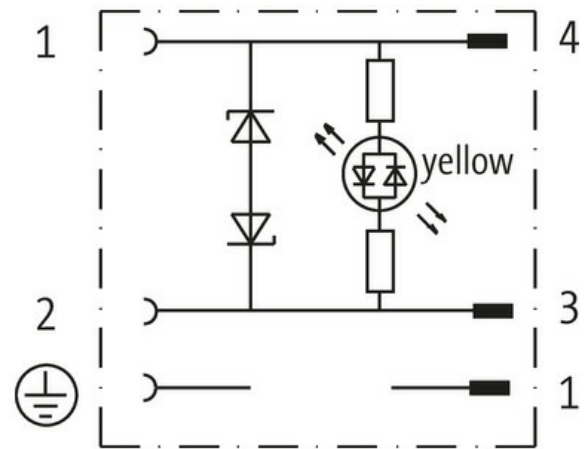
24 V AC  $\pm 20\%$  / DC  $\pm 25\%$ 

LED and suppression

3-pole

Plastic housings with good resistance against chemicals and oils.

The resistance to aggressive media should be individually tested for your application. Further details on request.

[Link to Product](#)**Illustration**

Product may differ from Image

**Form**

Form 88955

**Technical Data**Operating voltage 24 V AC  $\pm 20\%$  / DC  $\pm 25\%$

Rated surge voltage	0.8 kV
Operating current per contact	max. 4 A
Current consumption	max. 15 mA
Switch off peak	max. 55 V
Locking of ports	M3/M12×1 mm (recommended torque 0.4/0.6 Nm)
Protection	IP67 inserted and tightened (EN 60529)
Configuration	2 contacts + PE

**General data**

Temperature range	-25...+85 °C
-------------------	--------------

**Commercial data**

country of origin	CZ
customs tariff number	85366990
EAN	4048879115858
eClass	27143423
Packaging unit	1.000