

## MOTOR SUPPRESSOR

Varistor, 3x690VAC/20kW

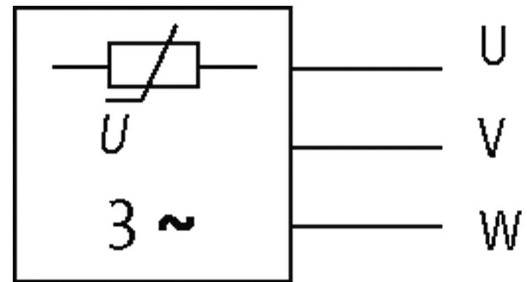
3× 690 V AC

VDR

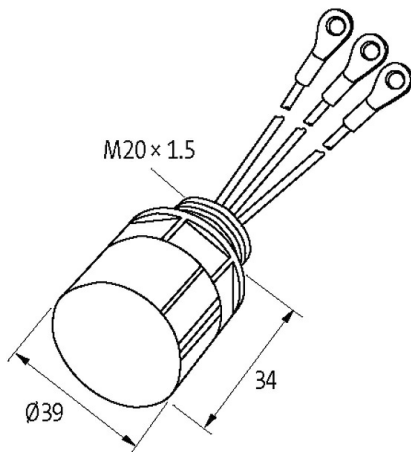
Suppressors for other voltages, frequencies, and motor ratings available on request. Do not use RC motor suppressors with frequency inverters.

### [Link to Product](#)

#### Illustration



VDR



Product may differ from Image

#### Technical Data

Frequency	10...400 Hz
Input voltage	690...690 V AC
Material	Flame retardant plastic acc. to (UL 94)
Ring terminals	isolated M6
Potting compound	2-component epoxy

#### General data

Mounting method	on motor terminal box with plug connector
Temperature range	-20...+60 °C
Connection	approx. 150 mm, single cores 1 mm <sup>2</sup>
Dimensions H×W×D	39×39×44 mm

**Commercial data**

country of origin	CZ
customs tariff number	85363010
EAN	4048879019064
eClass	27371013
Packaging unit	1.000