

MASI67 I/O MODULE

8 digital inputs

Digital inputs

DI8 - 0.24 A - 4× M12 (AB)

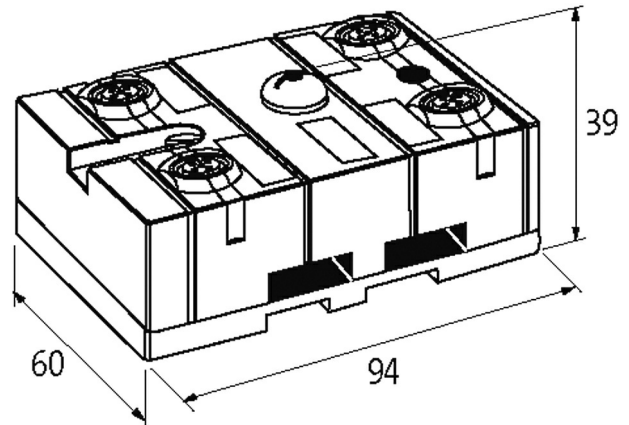
Double assignment of M12 females, PIN 2 + 4

Connection cables are in the online shop under "Connection Technology".

Housing fully potted.

Link to Product

Illustration



Product may differ from Image



Technical Data

PIN 2 and PIN 4 of M12 female bridged	no
Bus voltage (AS-Interface)	26.5...31.6 V DC
Profile (IO/ID/ID2 code)	2× S-0.A.2
Addressing	via built-in address port or master
Address range	1...62 (2× 1...31 A or B)
Double assignment of M12 female	yes
Total current	max. 290 mA

General data

Mounting method	DIN-rail mountable (EN 60715) or screw fixing
Temperature range	-20...+60 °C (storage temperature -20...+70 °C)
Protection	IP67
Dimensions H×W×D	94×60×39 mm

Input

Sensor supply US	max. 240 mA from AS-Interface (short-circuit and overload protected)
Type	for 3-wire sensors or mechanical switches, PNP

Diagnostic

Communication status	via LED
Diagnostic via LED	per module
Monitoring - no voltage	yes

Commercial data

The information in this brochure has been compiled with the utmost care. Liability for the correctness completeness and topicality of the information is restricted to gross negligence. Version: 03/22

Murrelektronik Ltd. | 5 Albion Street, Pendlebury Industrial Estate, Swinton | Manchester M27 4FG | Fon +44 161 728 3133 | Fax +44 161 728 3130 | shop@murrelektronik.co.uk | shop.murrelektronik.co.uk

country of origin	DE
customs tariff number	85176200
EAN	4048879049108
eClass	27242604
Packaging unit	1.000