

Pneumatic module - female & male, 2-pole

Pneumatic

Male/female

2-pole

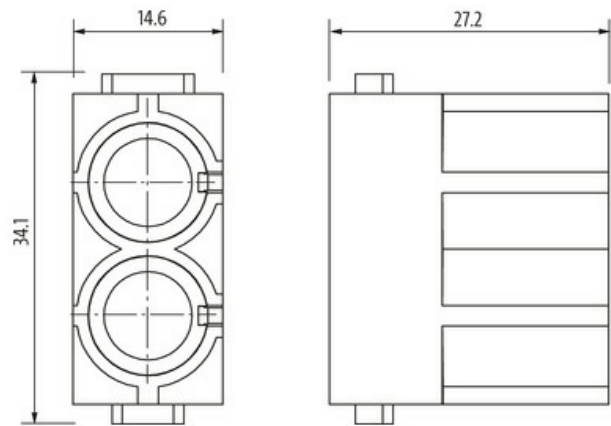
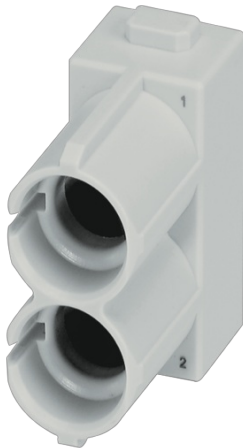
Internal hose Ø 6 mm

Technical data will be only guaranteed with Murrelektronik components.

The clip 70MH-ZZ100-0000000 is needed (2×)

[Link to Product](#)

Illustration



Product may differ from Image



Technical Data

No. of poles	2
Mating cycles	min. 500

General data

Pollution Degree	3
Temperature range	-40...+80 °C
No. of module positions	1
Flammability class	V-0 (acc. to UL 94)
Type	(male/female)
Material (module)	PC
Dimensions HxWxD	27.2×34.1×14.6 mm

Commercial data

country of origin	PL
customs tariff number	85389099
EAN	4048879664134
eClass	27440209
Packaging unit	5.000