

**MVP8-P3 DIO4 DIO4 8xM8-3 IOLB12 B0**

IO-Link Class B Hub

IO-Link hub in 30 mm plastic housing

1 × M12 IO-Link Class B

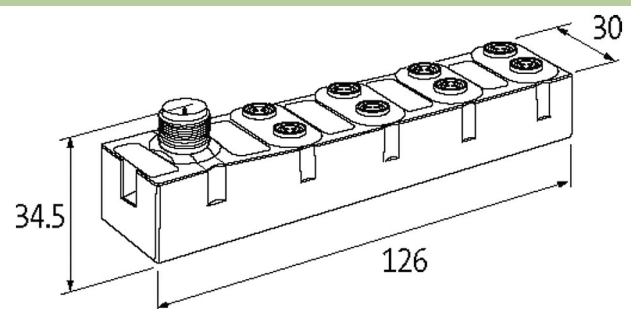
8 × M8 I/O

8 configurable digital inputs/outputs

Galvanically isolated voltage groups

Preconfigured parameter range

Connection cables are in the online shop under "Connection Technology".

**Link to Product****Illustration**

Product may differ from Image

**Technical Data**

Installation height	max. 3000 m above sea level
Operating voltage (UA)	24 V DC (18...30 V DC)
Operating voltage (US)	24 V DC (18...30 V DC)
	max. 4 A
	max. 4 A
	yes
Current consumption	max. 50 mA
LED display	US-IOL: sensor power supply IOL (green: OK)

**General data**

Mounting method	2-hole screw mounting
Temperature range	-25...+70 °C (storage temperature -40...+85 °C)
Protection	IP68
Dimensions H×W×D	126×30×34.5 mm

**Output**

Switching current per output	max. 2 A
------------------------------	----------

**Input**

Type	Type 1 + type 3
Input filter	1 ms
	24 V DC (EN 61131-2), per 2 ports (X0+X1, X2+X3, X4+X5, X6+X7) max. 1 A, short-circuit and overload-protected

**IO-Link**

Specification	IO-Link V1.1.2, compatible with: IO-Link V1.1.3
Port Class	B
IO-Link	Device
Operating modes	COM3 (230.4 kBaud)
Cycle time	min. 1 ms
	2 Byte (Inputs), 2 Byte (Outputs)

The information in this brochure has been compiled with the utmost care.

Liability for the correctness completeness and topicality of the information is restricted to gross negligence. Version: 03/22

Murrelektronik Ltd. | 5 Albion Street, Pendlebury Industrial Estate, Swinton | Manchester M27 4FG | Fon +44 161 728 3133 | Fax +44 161 728 3130 | shop@murrelektronik.co.uk | shop.murrelektronik.co.uk

Parameterization	
PIN 4	Input/output/DIO (port X0...X7)
Connections	
IO-Link	M12, 5-pole, A-coded
I/O ports	M8, 3-pin, A-coded
Diagnostic	
Communication status	via LED
Diagnostic via LED	per module and channel
Actuator warning	yes
Monitoring - under voltage	yes
Monitoring - no voltage	yes
Short-circuit and overload	yes
Commercial data	
country of origin	DE
customs tariff number	85389099
EAN	4048879865029
eClass	27242604
Packaging unit	1.000