

**M12 female 0° A-cod. with cable**

SABIX 8x0.34 gy 10m

Female straight

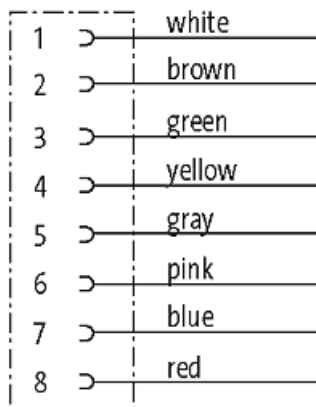
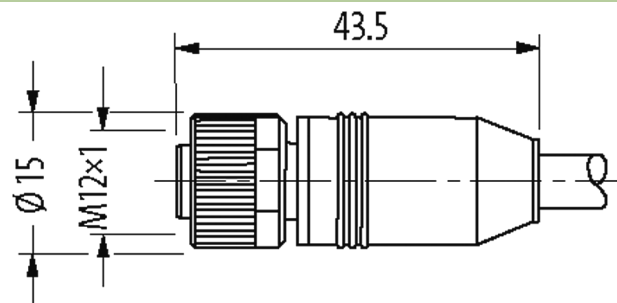
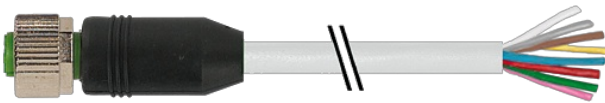
M12, 8-pole

with cable sleeves

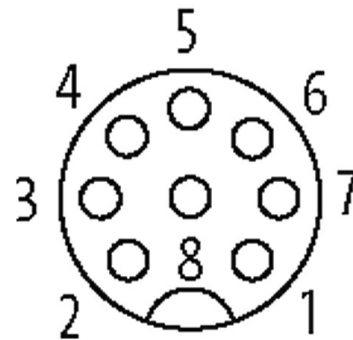
Plastic housings with good resistance against chemicals and oils.

The resistance to aggressive media should be individually tested for your application. Further details on request.

Further cable lengths on request.

**[Link to Product](#)****Illustration**

Female



Product may differ from Image

**Form**

Form 17041

**Technical Data**

Operating voltage	max. 30 V AC/DC
Rated surge voltage	0.8 kV
Operating current per contact	max. 2 A
No. of poles	8
Material group	IEC 60664-1, category I
Coding	A-coded
Locking of ports	Screw thread (M12x1 mm) recommended torque 0.6 Nm, self-securing
Compression gland	M12 (SW13)
Locking material	Zinc die casting, matte nickel plated
Material	PUR
suitable for corrugated tube (internal Ø)	without

General data	
Standards	DIN EN 61076-2-101 (M12)
Mounting method	inserted, tightened
Pollution Degree	3
Stripping length (jacket)	60 mm
Temperature range	-25...+85 °C, depending on cable quality
Cables	
Cable identification	R43
Cable Type	Bahnkabel
Approval (cable)	DIN EN 45545-2, CE conform
Cable weight [g/m]	69,30
Material (wire)	Cu wire, bare
Resistor (core)	max. 57 Ω/km (20 °C)
Single wire Ø (core)	0.25 mm
Construction (core)	7 × 0.254 mm
Diameter (core)	8 × 0.34 mm <sup>2</sup>
AWG	similar to AWG 22
Material (wire isolation)	Special Sabix
Wire-Ø incl. isolation	1.45 mm ±5%
Color/numbering of wires	br, wh, rd, bl, pk, gr, ye, gn
Stranding combination	8 wires twisted around central filler
Shield	no
Material (jacket)	Special Sabix
Outer-Ø (jacket)	6.5 mm ±5%
Color (jacket)	gray
Nominal voltage	500 V
Test voltage	1500 V AC
Current load capacity	according to DIN VDE 0891-1
Temperature range (fixed)	-40...+90 °C
Temperature range (mobile)	-30...+90 °C
Bend radius (fixed)	5 × outer Ø
Bend radius (moving)	10 × outer Ø
Jacket Color	gray
Commercial data	
country of origin	DE
customs tariff number	85444290
EAN	4048879672214
eClass	27061801
Packaging unit	1