

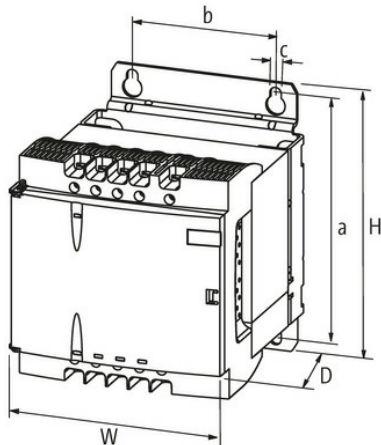
## MTL 1-PHASE SAFETY TRANSFORMER

P: 160VA IN: 230/400VAC +/- 15VAC OUT: 2x24VAC

Single-phase safety transformer  
160 VA  
Isolation class T 60/B

### [Link to Product](#)

#### Illustration



Product may differ from Image



#### Technical Data

LED display LED (green) for input voltage

#### General data

Standards	EN 61558-2-4, EN 61558-2-6, EN 62041 category 0
Mounting method	DIN-rail mountable TH35-15 (EN 60715) or for key-hole mounting
Temperature range	-20...+60 °C, no condensation
Test isolation voltage	5.1 kV (prim./sec.)

Drill hole Ø	6.5×11 mm
Fixing centers a×b×c	136×82×6.5 mm
Dimensions H×W×D	153×123×128 mm

**Output**

Output voltage	1× 24/1× 48/2× 24 V AC
Output rating	160 VA

**Input**

Input voltage	230/400 ±15 V AC
Inrush current	10 A (230 V AC); 5.77 A (400 V AC)
Short-circuit current	17.5 A (230 V AC); 10.1 A (400 V AC)
Input current	0.85 A (230 V AC); 0.49 A (400 V AC)
Frequency	50...60 Hz

**Commercial data**

country of origin	CZ
customs tariff number	85043180
EAN	4048879078313
eClass	27031302
Packaging unit	1.000