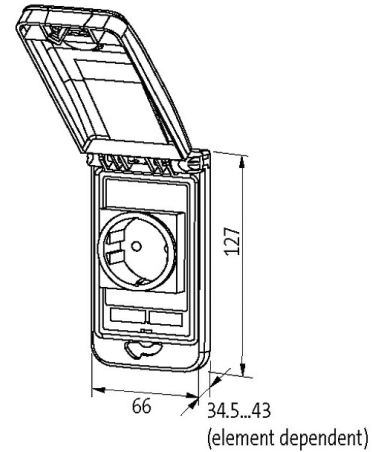


**MODLINK MSDD FRAME SINGLE TRANSPARENT**

with customized printing

Customized printing  
 Frame: plastic PA black  
 Lid: plastic, PC transparent  
 Closure: 3 mm double bit  
 with attachable rotation knob

**[Link to Product](#)****Illustration**

Product may differ from Image

**Frame**

suitable for mounting with wall thickness	1...5 mm
Protection	IP65
Temperature range	-30...+70 °C (storage temperature -30...+80 °C)
Housing	Frame: plastic PA black, cap: plastic PC transparent

**General data**

Dimensions HxWxD	127x66x43 mm
------------------	--------------

**Commercial data**

country of origin	DE
customs tariff number	85389099
EAN	4048879689427
eClass	27189217
Packaging unit	1.000