

Mini (7/8) 3 pole, Female 90° w/ Cable

PVC 3x16AWG ye UL/CSA, STOOW

Female 90°

7/8" (3-pole)

Power cable

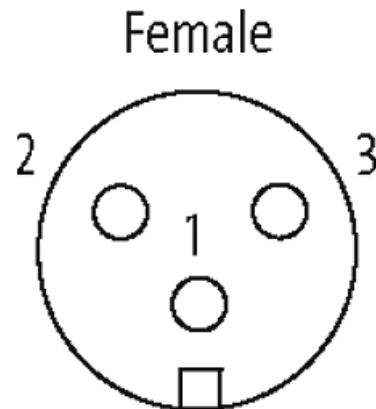
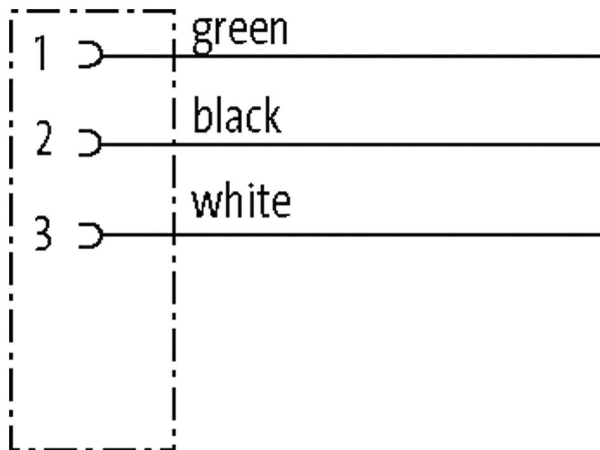
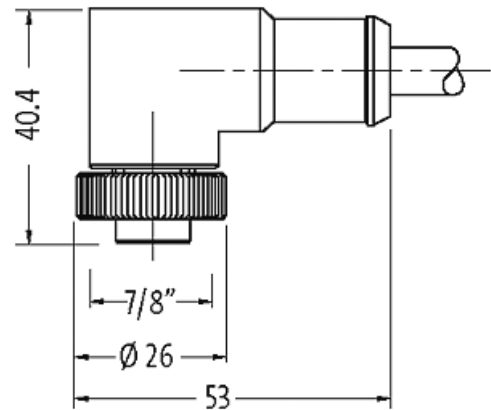
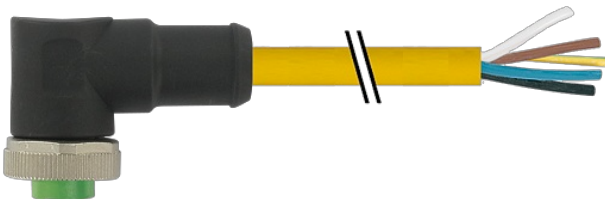
USA

without cable sleeves

Further cable lengths on request.

Plastic housings with good resistance against chemicals and oils.

The resistance to aggressive media should be individually tested for your application. Further details on request.

Link to Product**Illustration**

Product may differ from Image



* only for products with UL/CSA approved cable

Form

Form A3031

Technical Data

Operating voltage max. 600 V AC/DC

| | |
|-------------------------------|---|
| Rated surge voltage | 4.0 kV |
| Operating current per contact | max. 12 A |
| No. of poles | 3 |
| LED display | no |
| Locking of ports | Screw thread 7/8" (recommended torque 1.5 Nm) self-securing |
| Compression gland | 7/8" (SW24) |
| Protection | IP68 inserted and tightened (EN 60529) |
| Locking material | Zinc die casting, matte nickel plated |
| Material | PUR |

General data

| | |
|-------------------|--|
| Mounting method | inserted, tightened |
| Pollution Degree | 3 |
| Temperature range | -25...+80 °C, depending on cable quality |

Cables

| | |
|----------------------------|------------------------|
| Cable number | UBB |
| No./diameter of wires | 3x 1.5 mm ² |
| Construction (core) | approx. 3.1 mm |
| Wire isolation | PVC (bk, gn, wh) |
| Jacket Color | yellow |
| Material (jacket) | PVC (UL/CSA) |
| Outer Ø | 10.0 mm ±5% |
| Bend radius (fixed) | 10x outer Ø |
| Bend radius (moving) | 15x outer Ø |
| Temperature range (fixed) | -50...+105 °C |
| Temperature range (mobile) | -20...+90 °C |

Commercial data

| | |
|-----------------------|---------------|
| customs tariff number | 85444290 |
| EAN | 4048879645232 |
| eClass | 27279218 |
| Packaging unit | 1 |