

Main

Range of product	Harmony XAPS
Product or component type	Key operated control station
Device short name	XAPS
Product mounting	Flush mounting
Control station composition	1 key selector switch stay put 1 NO up arrow-O-down arrow
Operator position information	3 positions
Key withdrawal position	Center
Contacts operation	Slow-break

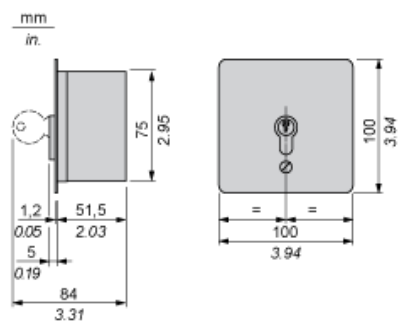
Complementary

Product weight	0.91 kg
Connections - terminals	Screw clamp terminals $\geq 1 \times 0.22 \text{ mm}^2$ without cable end EN/IEC 60947-1 Screw clamp terminals $\leq 2 \times 1.5 \text{ mm}^2$ with cable end EN/IEC 60947-1
Tightening torque	0.8...1.2 N.m EN/IEC 60947-1
Shape of screw head	Slotted flat $\varnothing 5.5 \text{ mm}$ Slotted flat $\varnothing 4 \text{ mm}$ Cross pozidriv No 1 Cross Philips no 1
Contacts material	Silver alloy (Ag/Ni)
Resistance across terminals	$\leq 25 \text{ MOhm}$
Short circuit protection	10 A cartridge fuse gG IEC 60947-5-1
[I _{th}] conventional free air thermal current	10 A IEC 60947-5-1
[U _i] rated insulation voltage	600 V 3 IEC 60947-1
[U _{imp}] rated impulse withstand voltage	6 kV IEC 60947-1
[I _e] rated operational current	1.2 A 600 V AC-15 A600 IEC 60947-5-1 0.55 A 125 V DC-13 Q600 IEC 60947-5-1 0.27 A 250 V DC-13 Q600 IEC 60947-5-1 0.1 A 600 V DC-13 Q600 IEC 60947-5-1 6 A 120 V AC-15 A600 IEC 60947-5-1 3 A 240 V AC-15 A600 IEC 60947-5-1

Environment

Protective treatment	TC
Ambient air temperature for storage	-40...70 °C
Ambient air temperature for operation	-25...70 °C
Class of protection against electric shock	Class I IEC 60536
IP degree of protection	IP54 IEC 60529
IK degree of protection	IK08 EN 50102
Standards	EN/IEC 60947-5-1

Dimensions



Panel Cut-Out

