



Main

Range of product	Harmony XAPS
Product or component type	Key operated control station
Device short name	XAPS
Product mounting	Surface mounted
Control station composition	1 pushbutton spring return 1 NO up arrow 1 pushbutton spring return 1 NO down arrow 1 key selector switch stay put 1 NO O-I
Operator position information	2 positions
Key withdrawal position	Left-hand
Contacts operation	Slow-break

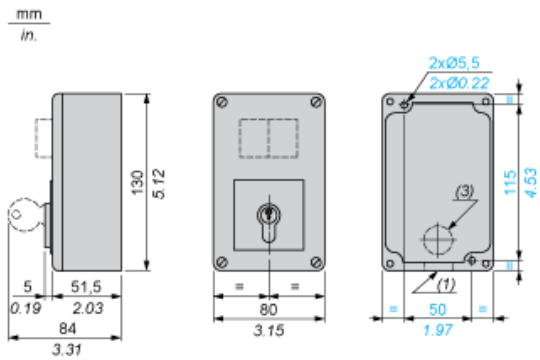
Complementary

Cable entry	1 tapped entry for cable gland <= 12 mm
Product weight	1.08 kg
Connections - terminals	Screw clamp terminals >= 1 x 0.22 mm ² without cable end EN/IEC 60947-1 Screw clamp terminals <= 2 x 1.5 mm ² with cable end EN/IEC 60947-1
Tightening torque	0.8...1.2 N.m EN/IEC 60947-1
Shape of screw head	Slotted flat Ø 5.5 mm Slotted flat Ø 4 mm Cross pozidriv No 1 Cross Philips no 1
Contacts material	Silver alloy (Ag/Ni)
Resistance across terminals	<= 25 MOhm
Short circuit protection	10 A cartridge fuse gG IEC 60947-5-1
[I _{th}] conventional free air thermal current	10 A IEC 60947-5-1
[U _i] rated insulation voltage	600 V 3 IEC 60947-1
[U _{imp}] rated impulse withstand voltage	6 kV IEC 60947-1
[I _e] rated operational current	1.2 A 600 V AC-15 A600 IEC 60947-5-1 0.55 A 125 V DC-13 Q600 IEC 60947-5-1 0.27 A 250 V DC-13 Q600 IEC 60947-5-1 0.1 A 600 V DC-13 Q600 IEC 60947-5-1 6 A 120 V AC-15 A600 IEC 60947-5-1 3 A 240 V AC-15 A600 IEC 60947-5-1

Environment

Protective treatment	TC
Ambient air temperature for storage	-40...70 °C
Ambient air temperature for operation	-25...70 °C
Class of protection against electric shock	Class I IEC 60536
IP degree of protection	IP54 IEC 60529
IK degree of protection	IK08 EN 50102
Standards	EN/IEC 60947-5-1

Dimensions and Fixing



- (1) 1 tapped entry for 12 mm/0.47 in. maximum capacity cable gland.
- (3) Optional: cable entry through rear.