

XAPS24111

vandal resistant flush mounted control station -
XAP-S - lock and 2 buttons



Main

Range of product	Harmony XAPS
Product or component type	Key operated control station
Device short name	XAPS
Product mounting	Flush mounting
Control station composition	1 pushbutton spring return 1 NO up arrow 1 pushbutton spring return 1 NO down arrow 1 key selector switch stay put 1 NO O-I
Operator position information	2 positions
Key withdrawal position	Left-hand
Contacts operation	Slow-break

Complementary

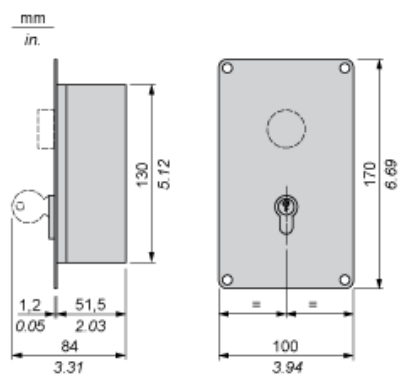
Product weight	1.19 kg
Connections - terminals	Screw clamp terminals $\geq 1 \times 0.22 \text{ mm}^2$ without cable end EN/IEC 60947-1 Screw clamp terminals $\leq 2 \times 1.5 \text{ mm}^2$ with cable end EN/IEC 60947-1
Tightening torque	0.8...1.2 N.m EN/IEC 60947-1
Shape of screw head	Slotted flat $\varnothing 5.5 \text{ mm}$ Slotted flat $\varnothing 4 \text{ mm}$ Cross pozidriv No 1 Cross Philips no 1
Contacts material	Silver alloy (Ag/Ni)
Resistance across terminals	$\leq 25 \text{ MOhm}$
Short circuit protection	10 A cartridge fuse gG IEC 60947-5-1
[I _{th}] conventional free air thermal current	10 A IEC 60947-5-1
[U _i] rated insulation voltage	600 V 3 IEC 60947-1
[U _{imp}] rated impulse withstand voltage	6 kV IEC 60947-1
[I _e] rated operational current	1.2 A 600 V AC-15 A600 IEC 60947-5-1 0.55 A 125 V DC-13 Q600 IEC 60947-5-1 0.27 A 250 V DC-13 Q600 IEC 60947-5-1 0.1 A 600 V DC-13 Q600 IEC 60947-5-1 6 A 120 V AC-15 A600 IEC 60947-5-1 3 A 240 V AC-15 A600 IEC 60947-5-1

Environment

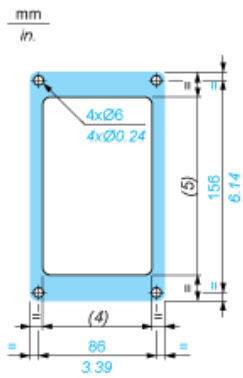
Protective treatment	TC
Ambient air temperature for storage	-40...70 °C
Ambient air temperature for operation	-25...70 °C
Class of protection against electric shock	Class I IEC 60536
IP degree of protection	IP54 IEC 60529
IK degree of protection	IK08 EN 50102
Standards	EN/IEC 60947-5-1

The information provided in this documentation contains general descriptions and/or technical characteristics of the performance of the products contained herein. This documentation is not intended as a substitute for and is not to be used for determining suitability or reliability of these products for specific user applications. It is the duty of any such user or integrator to perform the appropriate and complete risk analysis, evaluation and testing of the products with respect to the relevant specific application or use thereof. Neither Schneider Electric Industries SAS nor any of its affiliates or subsidiaries shall be responsible or liable for misuse of the information contained herein.

Dimensions



Panel Cut-Out



- (4) 81 mm/3.19 in. min.
- (5) 131 mm/5.16 in. min.