

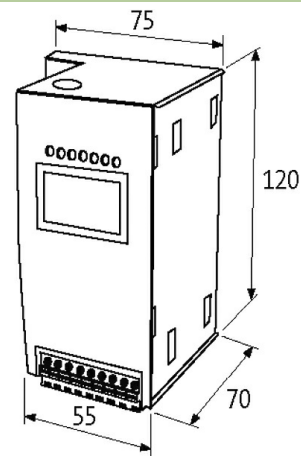
## Gateway Profibus-DP/AS-i, 2 Masters

Spec. 3.0

Gateway-Doublemaster  
via pluggable spring clamp plug-in terminals on the front 0.5...1.5 mm<sup>2</sup>  
AS-Interface/PROFIBUS DP  
Specification 3.0  
Current manuals, GSD/type data can be downloaded at: [www.murrelektronik.com](http://www.murrelektronik.com)  
Other gateways on request.

### Link to Product

#### Illustration



Product may differ from Image



#### General data

Standards	EN 50295
Mounting method	DIN-rail mountable (EN 60715)
Temperature range	0...+55 °C (storage temperature -20...+85 °C)
Test isolation voltage	min. 500 V
Protection	IP20
Dimensions H×W×D	120×75×83 mm

#### PROFIBUS

Addressing via buttons on the gateway or PROFIBUS DP addresses 1...126 adjustable (default 3)

#### Fieldbus

Buttons	4 (mode/set/OK/ESC)
Transfer rate	9.6...12 000 kbps, automatic detection
Functions	Illustration of AS-Interface slaves as I/O process data in PROFIBUS DP, full diagnostic configuration via DP-master

#### AS-Interface

Operating current	max. 200 mA (AS-Interface)
Serial interface/diagnostic	PS2/RS232
Cycle time	150 μs × (number of slaves + 2)
Bus connection	via pluggable spring clamp plug-in terminals on the front 0.5...1.5 mm <sup>2</sup>
No. of slaves	max. 2 × 62

The information in this brochure has been compiled with the utmost care.  
Liability for the correctness completeness and topicality of the information is restricted to gross negligence. Version: 03/22

Specification	3.0
Operating voltage	30 V DC

**Connections**

Fieldbus	SUB-D9
----------	--------

**Commercial data**

country of origin	DE
customs tariff number	85176200
EAN	4048879046534
eClass	27242608
Packaging unit	1.000