

M12 FEMALE 90° FIELD-WIREABLE SCREW V4A5-pol. 6-8mm max. 0,75mm²

Female 90°

M12, 5-pole

Sealing range (cable Ø): 6...8 mm

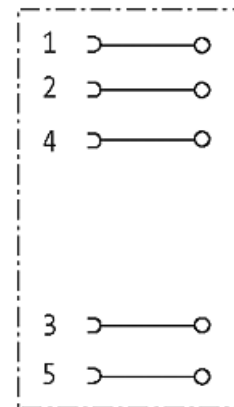
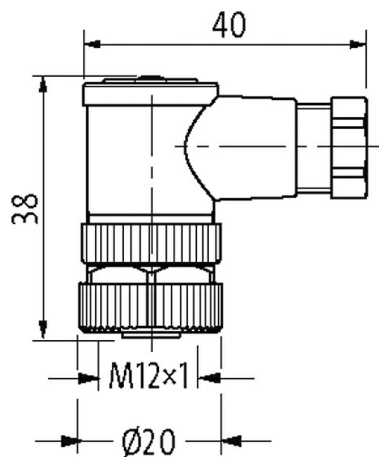
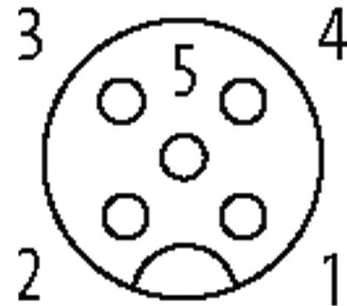
Stainless steel 1.4404 (V4A)

Plastic housings with good resistance against chemicals and oils.

The resistance to aggressive media should be individually tested for your application. Further details on request.

[Link to Product](#)**Illustration**

Female



Product may differ from Image

**Form**

Form 13041

Technical Data

Operating voltage max. 60 V

Rated surge voltage	0.8 kV
Operating current per contact	max. 4 A; max. 3 A (UL-Recognized)
Material group	III
Connection cross section	max. 0.75 mm ²
Sealing range (cable Ø)	6...8 mm
Over voltage category	II
Locking of ports	Screw thread (M12×1 mm) recommended torque 0.6 Nm, self-securing
Compression gland	M12 (SW18)
Protection	IP67 inserted and tightened (EN 60529)
Locking material	Stainless steel 1.4404 (V4A)

General data

Pollution Degree	3
Material (housing)	PA
Temperature range	-40...+85 °C

Commercial data

country of origin	DE
customs tariff number	85366990
EAN	4048879110921
eClass	27279221
Packaging unit	1