

# XB2SL65007

empty control station - XB2-S - metal - 30  
openings in 6 columns



## Main

Range of product	Harmony XAP
Product or component type	Empty control station
Device short name	XB2SL
Product destination	For Ø 22 mm control and signalling units
Product front plate size	260 x 320 mm
Usable depth	115 mm
Number of cut-out	30 cut-outs
Material	Sheet steel
Product mounting	Flush mounting
IP degree of protection	IP547 conforming to NF C 20-010 IP54 conforming to IEC 60529

## Complementary

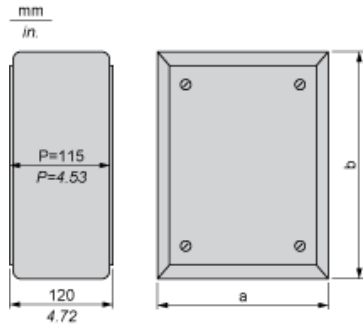
Number of vertical rows	6
Product weight	5.5 kg

## Environment

Protective treatment	TC
Ambient air temperature for storage	-40...70 °C
Ambient air temperature for operation	-25...70 °C
Class of protection against electric shock	Class I conforming to NF C 20-030 Class I conforming to IEC 60536

The information provided in this documentation contains general descriptions and/or technical characteristics of the performance of the products contained herein. This documentation is not intended as a substitute for and is not to be used for determining suitability or reliability of these products for specific user applications. It is the duty of any such user or integrator to perform the appropriate and complete risk analysis, evaluation and testing of the products with respect to the relevant specific application or use thereof. Neither Schneider Electric Industries SAS nor any of its affiliates or subsidiaries shall be responsible or liable for misuse of the information contained herein.

Dimensions

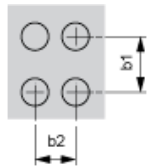


P Usable depth

a		b	
mm	in.	mm	in.
260	10.24	320	12.6

Refer to the product characteristics to get the number of cut-outs.

Cut-out interaxis dimensions (vertical mounting)



- b1 Vertical interaxis: 40 mm/1.57 in.
- b2 Horizontal interaxis: 30 mm/1.18 in.