

**B10 Surface mounted h., high profile, IP65**

Double locking lever m., side entry M25

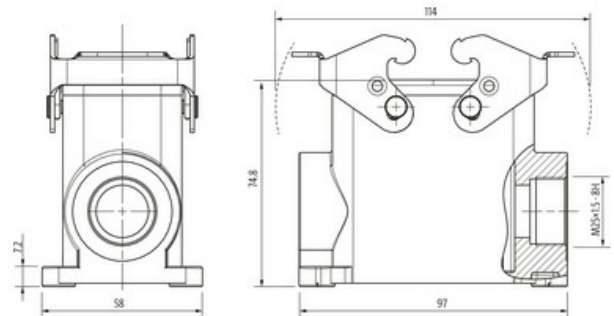
B10

Surface mounted housing (high)

Double locking lever

IP65

Technical data will be only guaranteed with Murrelektronik components.

**[Link to Product](#)****Illustration**

Product may differ from Image

**Technical Data**

Mating cycles	min. 500
Locking of ports	Double locking lever
Protection (housing)	IP65 inserted and tightened (EN 60529), with gland

**General data**

Material (gasket)	NBR
Temperature range	-40...+100 °C
Material (housing)	Aluminum die-cast
Housing type	Surface mounted housing
Threaded hole	M25
Size	B10
Cable outlet	laterally
Locking material	Steel (galvanized)
Climatic category	40/100/21 (EN 60068-1)
Material (housing surface)	powder-coated
Dimensions H×W×D	74.8×58×97 mm

**Commercial data**

country of origin	CZ
customs tariff number	85389099
EAN	4048879646239
eClass	27143424
Packaging unit	1.000