

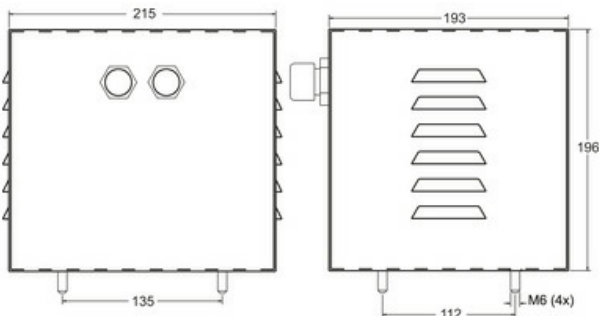
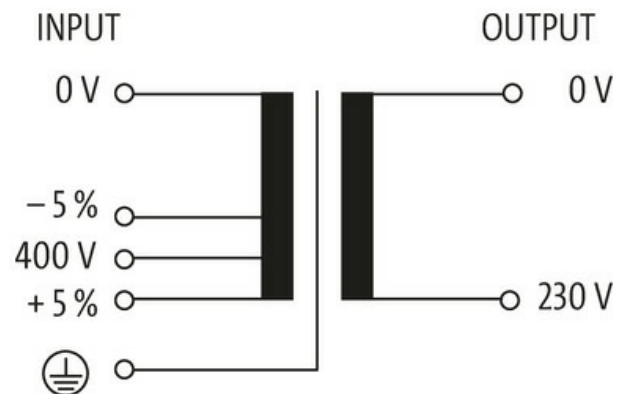
MET SINGLE-PHASE CONTROL AND ISOLATION TRANSFORMER

P:1000VA IN:400VAC±5% OUT:230VAC

Single-phase - Control and Isolation Transformers
1000 VA
Isolation class T 40/B
with housing

[Link to Product](#)

Illustration



Product may differ from Image

General data

Standards	EN 61558-1, EN 61558-2-4, EN 62041 category 0
Mounting method	screw fixing
Temperature range	-20...+40 °C (storage temperature -40...+80 °C)
Test isolation voltage	5.1 kV (prim./sec.)
Fixing centers a×b×c	112×135 mm
Dimensions H×W×D	193×215×196 mm

Output

Output voltage	230 V AC
Output rating	1000 VA

Input

Input voltage	400 V AC ±5%
Inrush current	37 A (400 V AC)
Short-circuit current	122 A (400 V AC)
Input current	2.68 A (400 V AC)

The information in this brochure has been compiled with the utmost care.
Liability for the correctness completeness and topicality of the information is restricted to gross negligence. Version: 03/22

Frequency 50...60 Hz

Commercial data

country of origin	CZ
customs tariff number	85043180
EAN	4048879288804
eClass	27031202
Packaging unit	1.000