

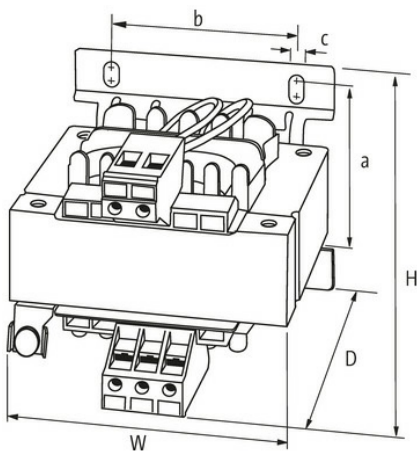
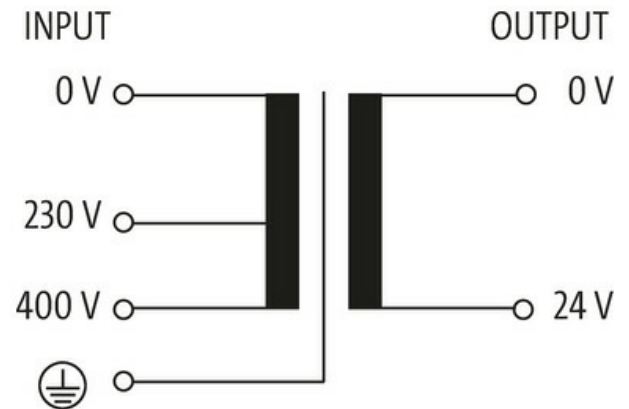
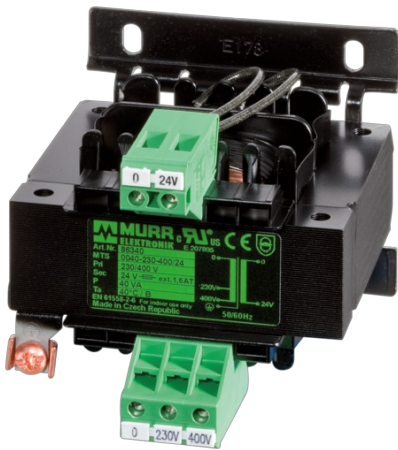
## MTS 1-PHASE SAFETY TRANSFORMER

P: 40VA IN: 230/400VAC OUT: 24VAC

Single-phase safety transformer  
40 VA  
Spring clamp terminals  
Isolation class T 40/B  
Other voltages on request.

### [Link to Product](#)

#### Illustration



Product may differ from Image



#### General data

Standards	EN 61558-1, EN 61558-2-6, EN 62041 category 0
Mounting method	Long-hole mounting or DIN-rail mountable TH35 (EN 60715)
Temperature range	-20...+40 °C (storage temperature -40...+80 °C)
Test isolation voltage	4 kV (prim./sec.)
Drill hole Ø	4.8x8.4 mm

Fixing centers a×b×c	56×56×4.8 mm
----------------------	--------------

Dimensions H×W×D	79×78×93 mm
------------------	-------------

**Output**

Output voltage	24 V AC (SELV)
----------------	----------------

Output rating	40 VA
---------------	-------

**Input**

Input voltage	230/400 V AC
---------------	--------------

Inrush current	1.61 A (230 V AC); 0.94 A (400 V AC)
----------------	--------------------------------------

Short-circuit current	1.83 A (230 V AC); 1.02 A (400 V AC)
-----------------------	--------------------------------------

Input current	0.24 A (230 V AC); 0.14 A (400 V AC)
---------------	--------------------------------------

Frequency	50...60 Hz
-----------	------------

**Commercial data**

country of origin	CZ
-------------------	----

customs tariff number	85043180
-----------------------	----------

EAN	4048879066129
-----	---------------

eClass	27031302
--------	----------

Packaging unit	1.000
----------------	-------