

## SIEMENS CONTACTOR SUPPRESSOR

Varistor, 230VAC/DC

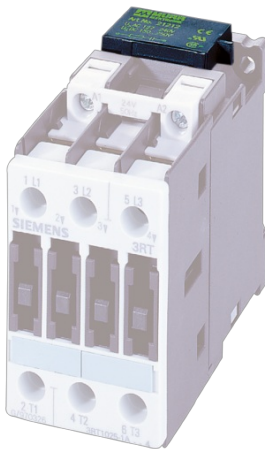
230 V AC/DC

VDR

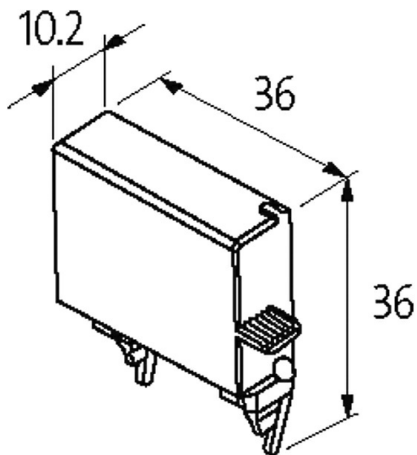
For other configurations and voltages, please inquire.

### [Link to Product](#)

#### Illustration



VDR



Product may differ from Image



#### Technical Data

Input voltage 150...250 V AC/DC

#### General data

Dimensions H×W×D 36×36×10.2 mm

#### Appropriate contactors

3 RT 1.3/1.4

3 RT 10.24/25/26

**Commercial data**

country of origin	CZ
customs tariff number	85363010
EAN	4048879017510
eClass	27371013
Packaging unit	1.000