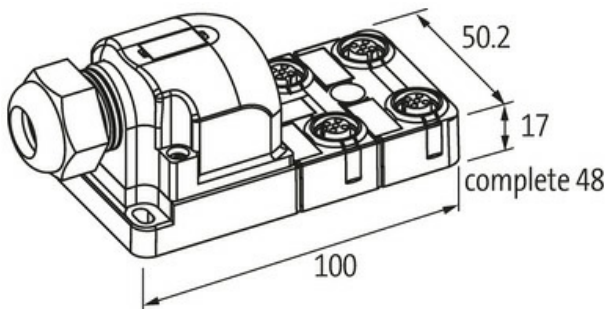
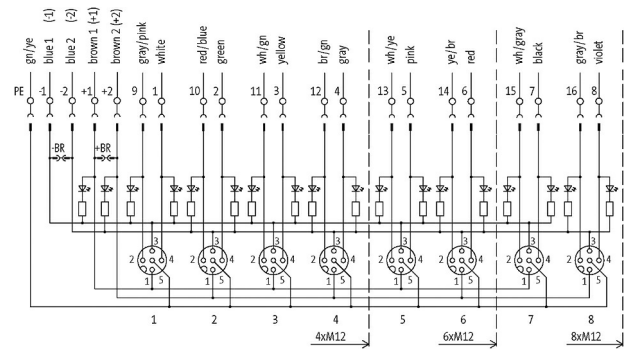
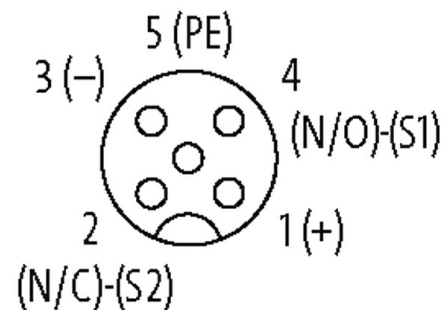


**MVP12, 4XM12, 5POLE, PLUGGABLE CABLE**

10.0m PUR/PVC 8x0,34+5x0,75

4-way, 5-pole  
 PUR/PVC  
 potentially separated  
 with LED for digital PNP-signals 24 V DC

**Link to Product****Illustration****M12 Females 5-pole**

Product may differ from Image



UL

UL

**Technical Data**

Operating voltage	24 V DC $\pm 25\%$
Operating current per contact	max. 4 A
Protection	IP65 and IP67 when plugged and screwed down (EN 60529)
Material	PBT
Housing	Plastic, flame retardant
Signal per port	2
Total current	max. 2x 8 A

**General data**

Temperature range	-20...+80 °C
-------------------	--------------

Dimensions H×W×D 100×50.2×17 mm

#### Cables

No./diameter of wires 8× 0.34 + 5× 0.75 mm<sup>2</sup>

Wire isolation PVC

C-track properties 1.5 Mio.

Outer Ø 9.2 mm ±5%

Cable number 374

Color (jacket) gray

Jacket Color gray

Temperature range (fixed) -30...+80 °C

Temperature range (mobile) -30...+80 °C

Bend radius (fixed) 10× outer Ø

Bend radius (moving) 12× outer Ø

Material (jacket) PUR/PVC

#### Commercial data

country of origin CZ

customs tariff number 85444290

EAN 4048879064293

eClass 27279219

Packaging unit 1.000