

**M12 MALE 90° FIELD-WIREABLE SCREW TERM.**5-pol. max.0,75mm<sup>2</sup> 4-6mm

Male 90°

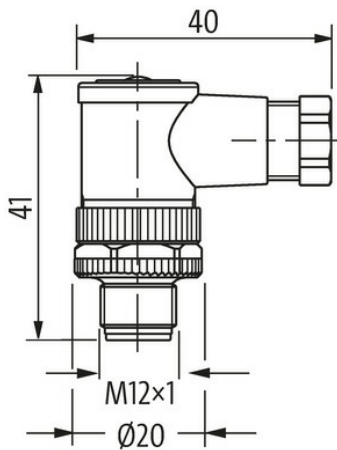
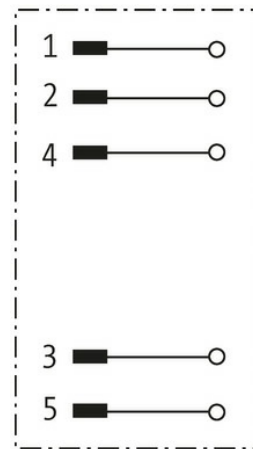
M12, 5-pole

Screw terminals

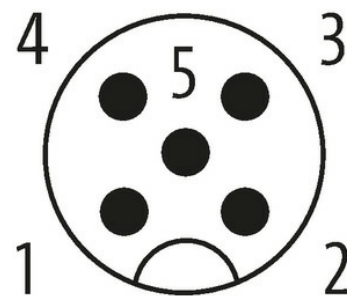
Sealing range (cable Ø): 4...6 mm

Plastic housings with good resistance against chemicals and oils.

The resistance to aggressive media should be individually tested for your application. Further details on request.

[Link to Product](#)**Illustration**

Male



Product may differ from Image

**Form**

Form 12841

**Technical Data**

Operating voltage max. 60 V AC/DC

Operating voltage (only UL listed)	max. 125 V AC/DC
Rated surge voltage	1.5 kV
Operating current per contact	max. 4 A; max. 3 A (UL-Recognized)
Material group	III
Locking of ports	Screw thread (M12×1 mm) recommended torque 0.6 Nm, self-securing
Compression gland	M12 (SW18)
Connection cross section	max. 0.75 mm <sup>2</sup>
Sealing range (cable Ø)	4...6 mm
Protection	IP67 inserted and tightened (EN 60529)
Over voltage category	II

**General data**

Pollution Degree	3
Temperature range	-40...+85 °C
Material (housing)	PA
Dimensions H×W×D	41×40×20 mm

**Commercial data**

country of origin	DE
customs tariff number	85366990
EAN	4048879201599
eClass	27279221
Packaging unit	1.000