

**M12 male 90° A-cod. / MSUD valve plug BI-11mm**

PVC 3x0.75 gy 4m

MSUD

Form BI (11 mm) – M12, male 90°

24 V AC ±20% / DC ±25%

LED and suppression

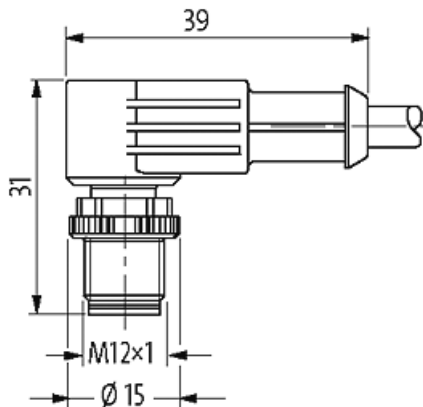
Further cable lengths on request.

Plastic housings with good resistance against chemicals and oils.

The resistance to aggressive media should be individually tested for your application. Further details on request.

[Link to Product](#)

Illustration



Female

Male



Product may differ from Image

**Form**

Form 40981

**Technical Data**

|                               |  |
|-------------------------------|--|
| Operating voltage             | 24 V AC $\pm$ 20% / DC $\pm$ 25%                     |
| Operating current per contact | max. 4 A   |
| Switch off peak               | max. 55 V  |
| Switch off delay time         | max. 20 ms   |
| LED display                   | (yellow)   |
| Current consumption           | approx. 12 mA  |
| Housing                       | Black plastic (gray on request)                      |
| Locking of ports              | M3/M12 $\times$ 1 mm (recommended torque 0.4/0.6 Nm) |
| Protection                    | IP66K, IP67 inserted and tightened (EN 60529)        |
| Rated surge voltage           | 0.8 kV   |

**General data**

Temperature range -25...+85 °C, depending on cable quality

**Cables**

|                                     |  |
|-------------------------------------|--|
| No./diameter of wires               | 3 $\times$ 0.75 mm <sup>2</sup>                |
| Wire isolation                      | PVC (bk num, gnye)                             |
| Material (jacket)                   | PVC  |
| Outer $\varnothing$                 | 5.9 mm $\pm$ 5%                                |
| Bend radius (moving)                | 10 $\times$ outer $\varnothing$                |
| Temperature range (fixed)           | -30...+70 °C                                   |
| Temperature range (mobile)          | -5...+70 °C                                    |
| Cable identification                | 216  |
| Cable Type                          | 1 (PVC)  |
| Approval (cable)                    | CE conform                                     |
| Cable weight [g/m]                  | 63,80  |
| Material (wire)                     | Cu wire, bare                                  |
| Resistor (core)                     | max. 26 $\Omega$ /km (20 °C)                   |
| Single wire $\varnothing$ (core)    | 0.2 mm   |
| Construction (core)                 | 24 $\times$ 0.2 mm (multi-strand wire class 5) |
| Diameter (core)                     | 3 $\times$ 0.75 mm <sup>2</sup>                |
| AWG                                 | similar to AWG 18                              |
| Material (wire isolation)           | PVC  |
| Material property (wire isolation)  | CFC-, cadmium-, silicone- and lead-free        |
| Shore hardness (wire isolation)     | 43 $\pm$ 5 D                                   |
| Wire- $\varnothing$ incl. isolation | 1.8 mm $\pm$ 5%                                |
| Color/numbering of wires            | bk numbered, gnye longitudinally striped       |
| Stranding combination               | 3 wires twisted                                |
| Shield                              | no   |
| Material (jacket)                   | PVC  |
| Material property (jacket)          | CFC-, cadmium-, silicone- and lead-free        |
| Shore hardness (jacket)             | 80 $\pm$ 5 A                                   |
| Outer- $\varnothing$ (jacket)       | 5.9 mm $\pm$ 5%                                |
| Color (jacket)                      | gray   |
| chemical resistance                 | good resistance to oil, gasoline and chemicals |
| Nominal voltage                     | 300/500 V AC                                   |
| Test voltage                        | 3000 V AC                                      |

The information in this brochure has been compiled with the utmost care.

Liability for the correctness completeness and topicality of the information is restricted to gross negligence. Version: 03/22

|                            |                   |
|----------------------------|-------------------|
| Current load capacity      | to DIN VDE 0298-4 |
| Temperature range (fixed)  | -30...+70 °C      |
| Temperature range (mobile) | -5...+70 °C       |
| Bend radius (fixed)        | 5× outer Ø        |
| Bend radius (moving)       | 10× outer Ø       |
| Jacket Color               | gray              |
| <b>Commercial data</b>     |                   |
| country of origin          | CZ                |
| customs tariff number      | 85444290          |
| EAN                        | 4048879496773     |
| eClass                     | 27279218          |
| Packaging unit             | 1                 |