

**M12 male 90° / M12 female 0° A-cod. shielded**

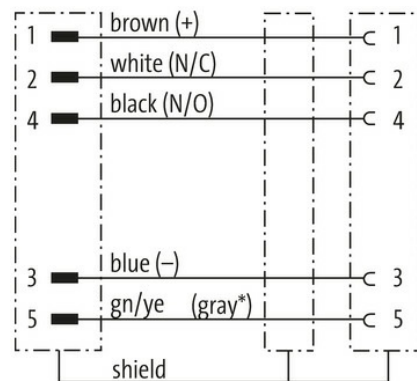
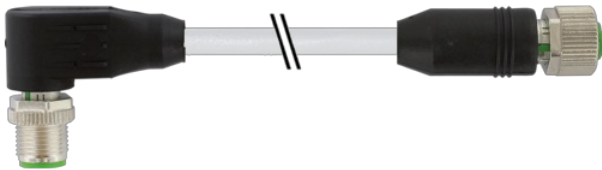
PUR 5x0.34 shielded gy 1m

Male 90° – female straight  
M12 – M12, 5-pole  
shielded

Plastic housings with good resistance against chemicals and oils.

The resistance to aggressive media should be individually tested for your application. Further details on request.

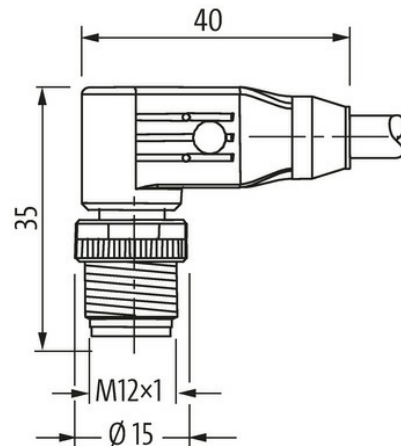
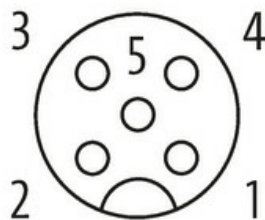
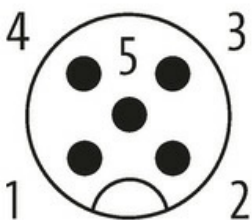
Further cable lengths on request.

**[Link to Product](#)****Illustration**

(\* for cable type 203, 603, 243, 643)

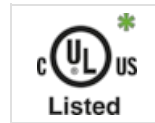
Male

Female





Product may differ from Image



\* only for products with UL/CSA approved cable

| Form                               |  |
|------------------------------------|--|
| Form                               | 40471  |
| Technical Data                     |  |
| Operating voltage                  | max. 60 V AC/DC  |
| Operating voltage (only UL listed) | max. 30 V AC/DC  |
| Operating current per contact      | max. 4 A   |
| Material group                     | IEC 60664-1, category I  |
| Coding                             | A-coded  |
| Locking of ports                   | Screw thread (M12×1 mm) recommended torque 0.6 Nm, self-securing |
| Compression gland                  | M12 (SW13)   |
| Protection                         | IP66K, IP67 inserted and tightened (EN 60529)                    |
| Material                           | PUR  |
| Locking material                   | Zinc die casting, matte nickel plated                            |
| General data                       |  |
| Pollution Degree                   | 3  |
| Temperature range                  | -25...+85 °C, depending on cable quality                         |
| Cables                             |  |
| No./diameter of wires              | 5× 0.34 mm <sup>2</sup>  |
| Wire isolation                     | PVC (br, wh, bl, bk, gnye)                                       |
| C-track properties                 | 0.1 Mio.   |
| Outer Ø                            | 5.9 mm ±5%   |
| Cable number                       | 349  |
| Approval (cable)                   | CE conform   |
| Shield                             | yes  |
| Color (jacket)                     | gray   |
| Jacket Color                       | gray   |
| Temperature range (fixed)          | -40...+80 °C   |
| Temperature range (mobile)         | -5...+70 °C  |
| Bend radius (fixed)                | 10× outer Ø  |
| Bend radius (moving)               | 15× outer Ø  |
| Material (jacket)                  | PUR/PVC  |
| Commercial data                    |  |
| country of origin                  | CZ   |

|                       |               |
|-----------------------|---------------|
| customs tariff number | 85444290      |
| EAN                   | 4048879166058 |
| eClass                | 27279218      |
| Packaging unit        | 1.000         |