

M12 Power S-coded female receptacle front mount

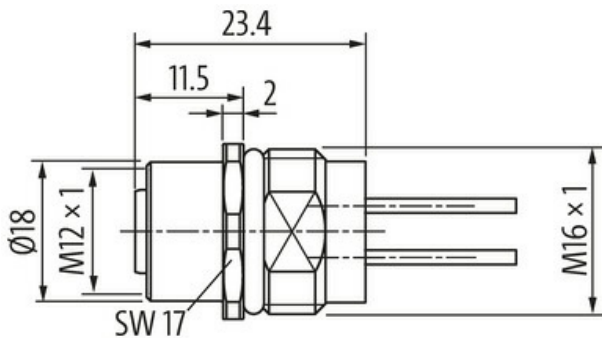
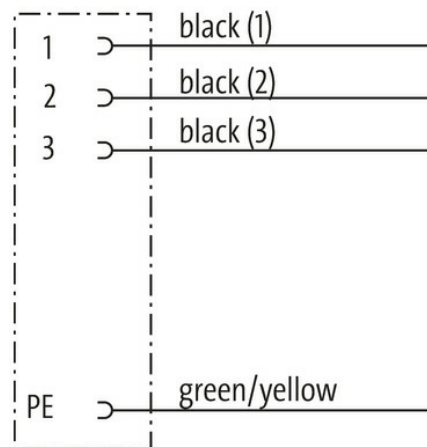
wires mPPE 4x1.5 1m

Flange female
M12, 4-pole
S-coded
Front mounting
with multi-strand wire

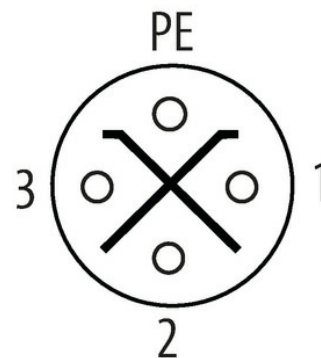
The resistance to aggressive media should be individually tested for your application. Further details on request.
Further cable lengths on request.

[Link to Product](#)

Illustration



Female



Product may differ from Image



Form

Form P6291

Technical Data

Operating voltage max. 630 V AC/DC

Rated surge voltage	6.0 kV
Operating current per contact	max. 12 A
Material group	IEC 60664-1, category III
Coding	S-coded
Locking of ports	Screw thread (M12×1 mm) recommended torque 0.6 Nm, self-securing
Compression gland	Flange (SW17)
Protection	IP68 inserted and tightened (EN 60529)

General data

Material (contact)	Copper alloy
Material (contact surface)	Au
Pollution Degree	3
Temperature range	-40...+85 °C, depending on cable quality
Material (contact carrier)	PA
Mounting set	Screw thread (M16×1.5 mm) mounting nut

Cables

No./diameter of wires	4× 1.5 mm ²
Wire isolation	PPE (bk num, gnye)
Cable number	940
Temperature range (fixed)	-40...+85 °C

Commercial data

country of origin	DE
customs tariff number	85444290
EAN	4048879654388
eClass	27279220
Packaging unit	1.000