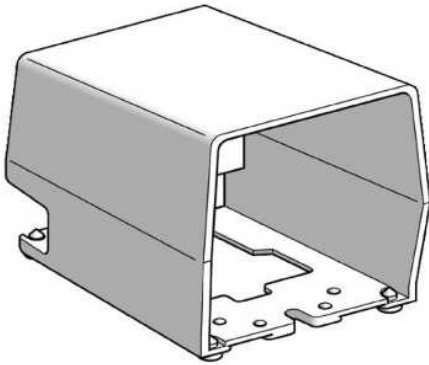


XPEZ911

single protective cover for orange metal foot switch



Main

Range of product	Harmony XPE
Accessory / separate part designation	Single protective cover
Accessory / separate part type	Protective cover
Accessory / separate part category	Replacement parts Separate parts
Product compatibility	XPER
Accessory / separate part destination	Metal foot switch

Complementary

Product weight	1.2 kg
----------------	--------

The information provided in this documentation contains general descriptions and/or technical characteristics of the performance of the products contained herein. This documentation is not intended as a substitute for and is not to be used for determining suitability or reliability of these products for specific user applications. It is the duty of any such user or integrator to perform the appropriate and complete risk analysis, evaluation and testing of the products with respect to the relevant specific application or use thereof. Neither Schneider Electric Industries SAS nor any of its affiliates or subsidiaries shall be responsible or liable for misuse of the information contained herein.