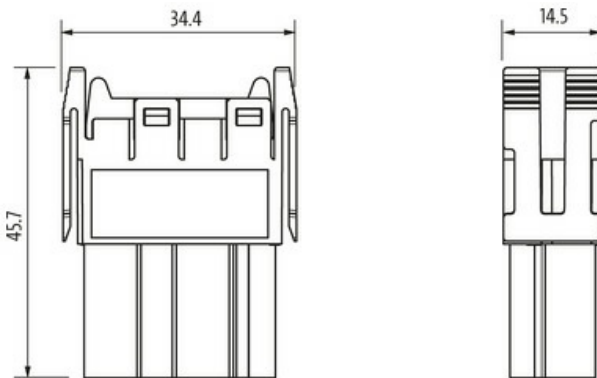
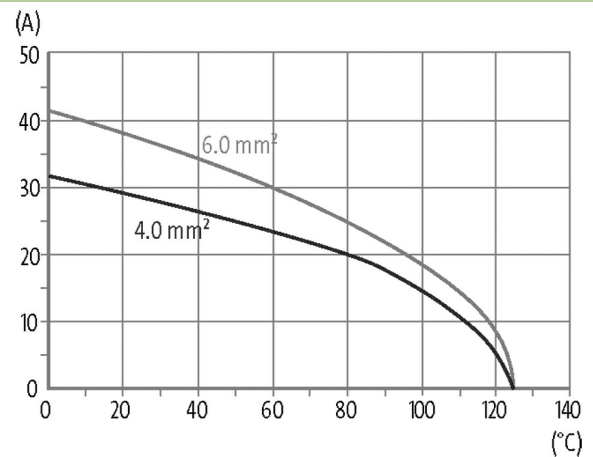


Female module, 4-pole, crimp t.

830 V, 40 A

Female
4-pole
Crimp

Technical data will be only guaranteed with Murrelektronik components.

[Link to Product](#)**Illustration**

Product may differ from Image

Technical Data

Operating voltage	830 V AC/DC
Rated surge voltage	8.0 kV
Operating current	40 A
No. of poles	4
Material group	I
Mating cycles	min. 500
Connection	Crimp
Connection cross section	1.5...6 mm ² (AWG 16...10)
Holding force (contacts)	≥ 100 N
Insertion and withdrawal force	< 220 N
Isolation resistance	≥ 10 ⁸ Ω
Contact resistance	≤ 5 mΩ
Over voltage category	III

Wire-Ø incl. isolation	max. 5.2 mm
Holding force (modules)	≥ 240 N

General data

Material (contact)	Brass
Material (contact surface)	Ag
Pollution Degree	3
Temperature range	-40...+125 °C
No. of module positions	1
Flammability class	V-0 (acc. to UL 94)
Type	Female
Climatic category	40/125/10
Material (module)	PA GF
Dimensions H×W×D	45.7×14.5×34.4 mm

Cables

Current load capacity	see derating curve
-----------------------	--------------------

Commercial data

country of origin	CZ
customs tariff number	85389099
EAN	4048879641609
eClass	27143424
Packaging unit	5.000